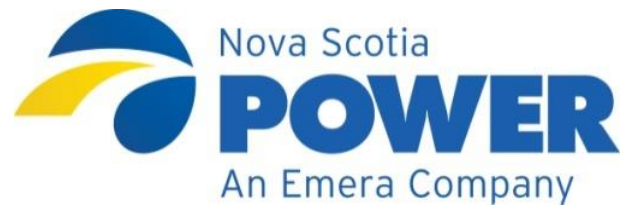


**NOVA SCOTIA POWER INC.**

**TRANSMISSION & DISTRIBUTION ENGINEERING DEPARTMENT**



**FACILITIES STUDY INFRA-STRUCTURE REPORT  
FOR IR#647 – Rev 1.0**

**Addition of 1.5 MW of Tidal Generation  
at 90N-FORCE Substation**

*Prepared by: John Charlton  
Rev. 0: 2022-09-22*



# Facilities Study Report

W.O.no.: IR#647 Page 1

Project: Addition of 1.5 MW Tidal Generation at 90N-FORCE Substation

Date: 2022-09-22 Rev. No.: 1

System	Description
<p><b>1.0</b></p> <p><b>2.0</b></p> <p><b>3.0</b></p> <p><b>4.0</b></p> <p><b>5.0</b></p> <p><b>6.0</b></p>	<p><b><u>Table of Contents:</u></b></p> <p><b>Introduction:</b>  1.1 Interconnection request (IR) #647  1.2 IR #516, IR #517, IR #542, and IR#598</p> <p><b>Summary:</b>  2.1 Ownership  2.2 Estimated Costs  2.3 Actual Final Costs</p> <p><b>Design:</b></p> <p><b>Work Completed by Nova Scotia Power:</b>  4.1 NSPI Work Completed at 37N-Parrsboro Substation      4.1.1 Single Line &amp; Primary Equipment      4.1.2 Civil Work &amp; Structures      4.1.3 Primary Equipment      4.1.4 Protection &amp; Control      4.1.5 Communications  4.2 NSPI Work Completed at 90N-FORCE  4.3 NSPI Work Completed at 30N-Maccan  4.4 NSPI Work Completed at 74N-Springhill</p> <p><b>Scope of Work Completed by FORCE:</b>  5.1 Single Line Diagram  5.2 Permits, Approvals and Standards  5.3 Transmission Line  5.4 Interconnection Substation  5.5 SCADA at 90N-FORCE</p> <p><b>Scope of Work by Interconnection Customer:</b>  6.1 Interconnection Facilities  6.2 Permits, Approvals and Standards</p>

<p>Transmission Engineering</p> <p><b>Department</b></p>	<p>Prepared by: <u>J.P. Charlton, P.Eng.</u></p> <p>approved by: _____</p>	<p>Customer Operations</p> <p>checked by: _____</p> <p><b>Division</b> approved by: _____</p>
--	--	---



# Facilities Study Report

W.O.no.: IR#647 Page 2

Project: Addition of 1.5 MW Tidal Generation at 90N-FORCE Substation

Date: 2022-09-22 Rev. No.: 1

System	Description
<p>7.0</p> <p>8.0</p> <p>9.0</p>	<p><b>Revenue Metering:</b></p> <p><b>Commissioning:</b></p> <p><b>Appendices:</b></p> <p>Appendix A: 1) 90N-FORCE Single Line Diagrams.</p> <p>Appendix B: 1) 30N-Maccan System Operating Diagram            2) 37N-Parrsboro (New Prospect) System Operating Diagram            3) 37N-Parrsboro (New Prospect) Plan View            4) 74N-Springhill System Operating Diagram</p> <p>Appendix C: Revenue Metering</p> <p>Appendix D: Summary of TPIF Costs vs Network Upgrade Costs</p> <p>Appendix E: Project Costs:            1) Original Estimate (NSPI Portion)            2) Final Cost (NSPI Portion)            3) Cost Responsibility for Each IR</p> <p>Appendix F: Completed Communications Work</p> <p>Appendix G: IR #647: Final Generator System Impact Study</p>

<p>Transmission Engineering</p> <p><b>Department</b></p>	<p>Prepared by: <u>J.P. Charlton, P.Eng.</u></p> <p>approved by: _____</p>	<p>Customer Operations</p> <p>checked by: _____</p> <p><b>Division</b> approved by: _____</p>
--	--	---



# Facilities Study Report

W.O.no.: IR#647 Page 3

Project: Addition of 1.5 MW Tidal Generation at 90N-FORCE Substation

Date: 2022-09-22 Rev. No.: 1

System	Description
<p>1.0</p>	<p><b>INTRODUCTION:</b></p> <p>In accordance with Section 8.3 of the Standard Generator Interconnection Procedures, the Transmission Provider is required to utilize existing studies to the extent practicable in performing new Facilities Studies. As such, Sections 2 – 8 of this report make extensive use of the Facilities Studies that were performed for IR#516 and IR#517.</p> <p>IR#516 and IR#517 were two tidal Interconnection Requests studied simultaneously in 2015 that utilized the 90N-FORCE substation to connect to the NSPI transmission system. These IR’s subsequently provided the funds to install the required NSPI System Network Upgrades (NU), and the Transmission Providers Interconnection Facilities (TPIF) between the NSPI transmission system and 90N-FORCE. Since that time, IR#517 has been withdrawn, and two other IRs have been submitted in its place (IR#542 &amp; IR#598).</p> <p>While no additional NSPI infrastructure will be required for IR#647 beyond what was installed for IR#516 and IR#517, a capital contribution towards the cost of the shared TPIF will be required from IR#647 in the amount of \$280,526 plus \$42,079 (HST), for a total of \$322,605 (unless the right to a Capital Contribution refund is waived, in writing, by those Interconnection Customers who have previously contributed to these TPIF). This amount represents a 1/5 share of the original TPIF costs.</p> <p>IR#647 is also one of four active projects utilizing the TPIF and is therefore responsible for 1/4 of remaining commissioning costs that are estimated at \$10,000 including HST (\$2,174 plus HST each) and for 1/4 of future maintenance and replacement costs associated with the TPIF.</p> <p>Sections 2-8 of this report are essentially a re-statement of the Facilities Study that was completed for tidal projects IR#516 and IR#517 in 2015. They document the requirements that were necessary to provide for the</p>
<p>Transmission Engineering <b>Department</b></p>	<p>Prepared by: <u>J.P. Charlton, P.Eng.</u> approved by: _____</p> <p>Customer Operations checked by: _____ <b>Division</b> approved by: _____</p>



# Facilities Study Report

W.O.no.: IR#647 Page 4

Project: Addition of 1.5 MW Tidal Generation at 90N-FORCE Substation

Date: 2022-09-22 Rev. No.: 1

System	Description
<p><b>1.1</b></p>	<p><b>Interconnection Request (IR)#647</b></p> <p><i>This Interconnection Facilities Report is based on the Revised Standard Generator Interconnection Procedures as approved by the UARB on June 10, 2016. The interconnection service is designated network Resource Interconnection Service (NRIS).</i></p> <p>IR#647 is a 1.5 MW Interconnection Request for tidal generation to be installed at the Fundy Ocean Research Centre for Energy (FORCE). The facility consists of a 1.5 MW tidal induction generator paired with a power conditioning unit at 3.74 kV. Generation is subsequently stepped up to 13.8kV and connected to the 90N-FORCE substation via a subsea cable. Connection to the NSPI transmission system is accomplished via the 90N-FORCE 13.8kV-69kV substation, a facility owned and operated by FORCE but controlled by NSPI under a Facilities Control Agreement effective as of October 1, 2020.</p> <p>The defined Point of Interconnection (POI) for IR#647 is the existing 69 kV bus at Nova Scotia Power’s 37N-Parrsboro Substation. The Point of Change in Ownership between NSPI and FORCE is at the line terminal structure at 90N.</p> <p>The existing transmission line between the 37N-Parrsboro Substation and the 90N-FORCE Substation (L-5582) has been built to 138kV standards but is currently operating at 69kV.</p>

<p>Transmission Engineering</p> <p><b>Department</b></p>	<p>Prepared by: <u>J.P. Charlton, P.Eng.</u></p> <p>approved by: _____</p>	<p>Customer Operations</p> <p>checked by: _____</p> <p><b>Division</b> approved by: _____</p>
--	--	---



# Facilities Study Report

W.O.no.: IR#647 Page 5

Project: Addition of 1.5 MW Tidal Generation at 90N-FORCE Substation

Date: 2022-09-22 Rev. No.: 1

System	Description
<p><b>1.2</b></p>	<p>The one line diagram, as provided by the Interconnection Customer (IC), for the interconnection to Nova Scotia Power’s transmission system is shown in Appendix A.</p> <p><b>IR#516, IR#517, IR#542, and IR#598</b></p> <p>At present, there are three IR’s ahead of IR#647 in the Queue that also utilize the 90N-FORCE substation: IR#516, IR#542, and IR#598. IR#516 was processed in 2015 with another IR that has subsequently been withdrawn (IR#517), and these two projects were responsible for establishing the 69kV supply to FORCE. IR#542 was submitted in September of 2016 and subsequently contributed to the TPIF associated with the FORCE facility. IR#598 was submitted in May of 2021 and will also contribute to these TPIF costs.</p> <p>The 69kV facilities required for IR#516 and IR#517 were built in 2016 and 2017 and construction funds were provided in advance by these interconnection Customers based on good faith best estimates and the scope of work defined in each of their Facility Study Reports. The associated construction work has since been completed and the project has been final costed. Approximately \$10,000 of commissioning work remains to be completed after generation is installed.</p> <p>In accordance with Section 9.9.2 of the Standard Generator Interconnection and Operating Agreement (GIP Appendix 6), IR#647 will be responsible to provide a capital contribution for the shared portion of the TPIF associated with this work. Section 9.9.2 refers to third party usage and states:</p> <p style="padding-left: 40px;">If required by Applicable Laws and Regulations or if the Parties mutually agree, such agreement not to be unreasonably withheld, to allow one or more third parties to use the Transmission Provider's Interconnection Facilities, or any part thereof, Interconnection</p>
<p>Transmission Engineering</p> <p><b>Department</b></p>	<p>Prepared by: <u>J.P. Charlton, P.Eng.</u></p> <p>approved by: _____</p> <p>Customer Operations checked by: _____</p> <p><b>Division</b> approved by: _____</p>



# Facilities Study Report

W.O.no.: IR#647 Page 6

Project: Addition of 1.5 MW Tidal Generation at 90N-FORCE Substation

Date: 2022-09-22 Rev. No.: 1

System	Description
	<p>Customer will be entitled to compensation for the capital expenses it incurred in connection with the Interconnection Facilities based upon the pro rata use of the Interconnection Facilities by Transmission Provider, all third party users, and Interconnection Customer, in accordance with Applicable Laws and Regulations or upon some other mutually-agreed upon methodology. In addition, cost responsibility for ongoing costs, including operation and maintenance costs associated with the Interconnection Facilities, will be allocated between Interconnection Customer and any third party users based upon the pro rata use of the Interconnection Facilities by Transmission Provider, all third party users, and Interconnection Customer, in accordance with Applicable Laws and Regulations or upon some other mutually agreed upon methodology. If the issue of such compensation or allocation cannot be resolved through such negotiations, it shall be submitted to the Board for resolution.</p> <p>As IR#647 is the fifth project to share the TPIF, it must provide a capital contribution equal to 1/5 of the total TPIF costs, to NSPI. This payment will be refunded to the previous IR's to partially offset their contributions to the total TPIF cost. In addition, IR#647 will be responsible for its share (1/4) of all ongoing maintenance and operations costs associated with the TPIF. Should the number of third-party users change, the cost responsibility will also change in proportion to the number of third-party users. In the event additional projects are added at FORCE, IR#647 will receive a refund to partially offset their portion of shared TPIF costs.</p> <p>In the event that all existing IR's connected to the FORCE facility agree to waive their rights to Capital Cost refunds under the GIP, then a Capital Cost contribution related to the existing TPIF will not be required from IR#647. IR#647 will continue to be responsible for its share (1/4) of all ongoing maintenance and replacement costs associated with the TPIF.</p> <p><i>Note that Sections 2-8 of this report are essentially a re-statement of information provided in the original Facilities Study for IR#516 and IR#517</i></p>

Transmission Engineering  <b>Department</b>	Prepared by: <u>J.P. Charlton, P.Eng.</u>  approved by: _____	Customer Operations checked by: _____  <b>Division</b> approved by: _____
---	---	---



# Facilities Study Report

W.O.no.: IR#647 Page 7

Project: Addition of 1.5 MW Tidal Generation at 90N-FORCE Substation

Date: 2022-09-22 Rev. No.: 1

System	Description
<p><b>2.0</b></p> <p><b>2.1</b></p>	<p><i>performed by R.L. Johnson, P.Eng, in June of 2015. Final configuration of equipment and final costing has been inserted where appropriate.</i></p> <p><b>SUMMARY:</b></p> <p>This section provides an explanation of ownership and project costs for:</p> <ul style="list-style-type: none"> <li>- Transmission Provider Interconnection Facilities (TPIF)</li> <li>- Network Upgrades (NU).</li> </ul> <p><b>Ownership:</b></p> <p>Ownership, maintenance and other commercial operating arrangements will be covered separately in more detail in the Generator Interconnection and Operating Agreement between Nova Scotia Power, FORCE, and the Interconnection Customer. For the purposes of this Facilities Study, the Point of Change of Ownership will be the cable termination at the Generator step-up transformer from the FORCE 13.8kV Collection Circuit '312', as shown on the single line diagram attached in Appendix A.</p> <p>The communications between Nova Scotia Power and FORCE is via a licensed 900MHz radio utilizing a 75ft composite pole, antenna and associated radio and tele-protection equipment and a 48V DC Supply located in the 90N-FORCE Substation but owned by NSPI.</p> <p>Nova Scotia Power also owns the revenue metering system located in the FORCE Substation. This includes <b>dedicated</b> set of revenue metering class potential and current transformers (i.e. functionality not shared with any other purpose) certified by Measurement Canada for 3 element metering, the revenue meter, and all associated wiring including the wiring to the communication cabinet in the Customer's control building.</p>

<p>Transmission Engineering</p> <p><b>Department</b></p>	<p>Prepared by: <u>J.P. Charlton, P.Eng.</u></p> <p>approved by: _____</p>	<p>Customer Operations</p> <p>checked by: _____</p> <p><b>Division</b> approved by: _____</p>
--	--	---





# Facilities Study Report

W.O.no.: IR#647 Page 8

Project: Addition of 1.5 MW Tidal Generation at 90N-FORCE Substation

Date: 2022-09-22 Rev. No.: 1

System	Description										
<p><b>2.2</b></p>	<p><b>Estimated Costs:</b></p> <p>The original estimated cost for Nova Scotia Power’s work to provide a 69 kV interconnection at 37N-Parrsborro was \$1,728,832.00 (HST excluded). The estimated cost of TPIF and NU were divided equally between Interconnection Requests IR#516 and IR#517 as follows.</p> <table border="0" style="width: 100%;"> <tr> <td style="padding-left: 40px;">TPIF Estimate:</td> <td style="text-align: right;">\$1,454,332 (HST excluded)</td> </tr> <tr> <td style="padding-left: 40px;">Network Upgrades Estimate:</td> <td style="text-align: right;">\$ 274,500 (HST excluded)</td> </tr> <tr> <td style="padding-left: 40px;">TPIF Estimate for each IR:</td> <td style="text-align: right;">\$ 727,166 (HST excluded)</td> </tr> <tr> <td style="padding-left: 40px;">NU Estimate for each IR:</td> <td style="text-align: right;">\$ 137,250 (HST excluded)</td> </tr> <tr> <td style="padding-left: 40px;">Total:</td> <td style="text-align: right;"><b><u>\$1,728,832 (HST excluded)</u></b></td> </tr> </table> <p>The detailed cost estimate provided in Appendix E: Project Cost Estimate (Nova Scotia Power Portion) was based on the scope of work outlined in Section 4.0 of this Facilities Study Report. Strict accounting of costs during the project insured an accurate split between TPIF costs and Network Upgrade costs.</p> <p>The deposit supplied via FORCE on behalf of IR#516 and IR#517 to cover the estimated TPIF and NU costs was:</p> <p style="text-align: center;"><math>\\$1,759,882 + \\$228,275 \text{ HST} = \underline{\underline{\\$ 2,023,864.}}</math></p> <p><i>(Note that the deposit provided was based on a revised estimate prior to the execution of the Generator Interconnection and Operating Agreement)</i></p>	TPIF Estimate:	\$1,454,332 (HST excluded)	Network Upgrades Estimate:	\$ 274,500 (HST excluded)	TPIF Estimate for each IR:	\$ 727,166 (HST excluded)	NU Estimate for each IR:	\$ 137,250 (HST excluded)	Total:	<b><u>\$1,728,832 (HST excluded)</u></b>
TPIF Estimate:	\$1,454,332 (HST excluded)										
Network Upgrades Estimate:	\$ 274,500 (HST excluded)										
TPIF Estimate for each IR:	\$ 727,166 (HST excluded)										
NU Estimate for each IR:	\$ 137,250 (HST excluded)										
Total:	<b><u>\$1,728,832 (HST excluded)</u></b>										
<p><b>2.3</b></p>	<p><b>Actual Final Costs:</b></p> <p>The final cost for Nova Scotia Power’s work to provide the 69 kV interconnection at 37N-Parrsborro was as follows:</p>										

Transmission Engineering  <b>Department</b>	Prepared by: <u>J.P. Charlton, P.Eng.</u>  approved by: _____	Customer Operations  checked by: _____	approved by: _____  <b>Division</b>
---	---	--	---



# Facilities Study Report

W.O.no.: IR#647 Page 9

Project: Addition of 1.5 MW Tidal Generation at 90N-FORCE Substation

Date: 2022-09-22 Rev. No.: 1

System	Description
	<p> <b>TPIF Actual Costs: \$1,402,630 (HST excluded)</b>  <b>NU Actual Costs: \$ 268,182 (HST excluded)</b> </p> <p> <b>Total Actual Cost: \$1,670,812 (HST excluded)</b> </p> <p>           According to the GIA, Each IC that uses common <b>TPIF</b> is responsible to provide an equal capital contribution for the shared portion of TPIF. As IR #647 is the fifth project to utilize all the TPIF, it is responsible for 1/5 of the TPIF capital costs (1/5 x \$1,402,630):         </p> <p> <b>TPIF (516/517/542/598/647): \$ 280,526 (Plus HST) each</b> </p> <p>           As such, a capital contribution totaling \$280,526 + \$42,079 (HST) = <b>\$322,605</b> is required from IR#647 for the shared usage of the TPIF infrastructure.         </p> <p>           IR#517 was eventually withdrawn, leaving four projects to contribute to the remaining commissioning costs. IR#647 will therefore be responsible for 1/4 of the remaining commissioning testing which is estimated at \$2,174 plus HST.         </p> <p>           Nova Scotia Power will not permit the connection of IR#647 to the grid prior to receipt of the executed GIA and secured funding from the Interconnection Customer in accordance with Article 11.5 of the Generation Interconnection Agreement. Secured funding includes the previously noted Capital Cost contribution of \$322,605 except in the following circumstance:         </p> <p> <i>If the right to a Capital Contribution refund is waived, in writing, by those Interconnection Customers who have previously made a Capital Contribution to the existing TPIF connecting the FORCE substation to the NSPI Transmission System, then a Capital Contribution towards these TPIF from IR#647 will not be required.</i> </p>

Transmission Engineering  <b>Department</b>	Prepared by: <u>J.P. Charlton, P.Eng.</u>  approved by: _____	Customer Operations checked by: _____  <b>Division</b> approved by: _____
---	---	---



# Facilities Study Report

W.O.no.: IR#647 Page 10

Project: Addition of 1.5 MW Tidal Generation at 90N-FORCE Substation

Date: 2022-09-22 Rev. No.: 1

System	Description
<p><b>3.0</b></p>	<p><b>DESIGN:</b></p> <p>Nova Scotia Power was responsible for the engineering and drawing production for all aspects of the scope of work at 37N-Parrsboro described in <b>Section 4.0</b> of this report. This included the 69 kV additions; the protection and control design; the telecommunications systems between Parrsboro and FORCE, Parrsboro and Maccan, &amp; Springhill and RAL; the new SCADA RTU at 37N-Parrsboro; and the review of Protection and Control design at the 90N-FORCE substation affecting the interconnection with NSPI’s transmission system.</p> <p>FORCE was responsible for the engineering design of the 90N-FORCE interconnection substation.</p> <p>The Interconnection Customer is responsible for design of all aspects of the generating facility on the Interconnection Customer’s side of the Point of Change of Ownership shown in Appendix A – Single Line Diagram of Interconnection Substation.</p>
<p><b>4.0</b></p>	<p><b>WORK COMPLETED BY NOVA SCOTIA POWER:</b></p>
<p><b>4.1</b></p>	<p><b>NSPI Work Completed at 37N-Parrsboro Substation:</b></p> <p>At the 37N-Parrsboro Substation, Nova Scotia Power supplied and installed all required primary equipment, protection &amp; control and telecommunications equipment.</p> <p>Nova Scotia Power reconfigured line connections at 37N-Parsborro to convert the operation of the existing 25kV line between 37N-Parrsboro and 90N-FORCE to 69kV in coordination with the associated upgrades at 90N.</p>

<p>Transmission Engineering</p>	<p>Prepared by: <u>J.P. Charlton, P.Eng.</u></p>	<p>Customer Operations checked by: _____</p>
<p><b>Department</b></p>	<p>approved by: _____</p>	<p><b>Division</b> approved by: _____</p>



# Facilities Study Report

W.O.no.: IR#647 Page 11

Project: Addition of 1.5 MW Tidal Generation at 90N-FORCE Substation

Date: 2022-09-22 Rev. No.: 1

System	Description
<p><b>4.1.1</b></p> <p><b>4.1.2</b></p> <p><b>4.1.3</b></p>	<p><b>Single Line &amp; Primary Equipment:</b></p> <p>The Single Line Diagrams for 30N-Maccan, 37N-Parrsboro, and 74N-Springhill substations showing the 69kV supply to 90N-FORCE are included in Appendix "B".</p> <p><b>Civil Work &amp; Structures:</b></p> <p>The addition of the new 69 kV line terminal in the 37N-Parrsboro Substation yard required a small expansion (approx. 600 m<sup>2</sup>) to the existing substation area. The following is a list of the structures that were added complete with associated concrete foundations:</p> <ul style="list-style-type: none"> <li>a) 1- 69/138 kV Circuit Breaker</li> <li>b) 2- 69/138 kV disconnect switch structures</li> <li>c) 6- 69/138 kV bus support structures</li> <li>d) 1- 3-ph 69kV Revenue Metering Combo PT/CT support structure</li> <li>e) 1 – 3-ph Lightning Arrester support structure</li> <li>f) 1- 1-phase PT support structure</li> <li>g) 1- 3-phase PT support Structure</li> <li>h) 1- Control Building and associated trench/conduit to new equipment in the substation yard</li> <li>i) Radio Tower</li> </ul> <p><b>Primary Equipment</b></p> <p>The following is a list of primary equipment added to the 37N-Parrsboro Substation</p> <ul style="list-style-type: none"> <li>a) 1- 138kV, 1200A, 650kV BIL, SF<sup>6</sup> circuit breaker</li> <li>b) 2- 138kV, 1200A, 350kV BIL, Alum Vertical Break Disconnect Switches (1 with integral ground disconnect)</li> <li>c) 3 - 69kV 1-phase Revenue Metering PT/CT combo units</li> </ul>

<p>Transmission Engineering</p> <p><b>Department</b></p>	<p>Prepared by: <u>J.P. Charlton, P.Eng.</u></p> <p>approved by: _____</p>	<p>Customer Operations</p> <p>checked by: _____</p> <p><b>Division</b> approved by: _____</p>
--	--	---

# Facilities Study Report

System	Description
<p><b>4.1.4</b></p>	<p>d) 3 - 60kV (48kV MCOV) Station Class Lightning Arresters e) 3 - 69kV Bus PTs f) 1- 69kV Line PT</p> <p><b>Protection &amp; Control:</b></p> <p>Protection and control modifications were completed at the following substations: 90N-Force; 37N-Parrsboro; 30N-Maccan; &amp; 74N-Springhill.</p> <p><b>1.0 90N-Force Substation</b></p> <p>1.1 The 90N-Force Substation was designed by Strum Engineering. Strum Engineering provided a transmission line protection scheme at the 90N-Force Substation terminal to match the protection scheme at the 37N-Parrsboro terminal.</p> <p>1.2 The tele-protection facility installed at the Force Substation provides line differential, transfer trip and permissive trip to 37N-Parrsboro, and breaker status to 37N-Parrsboro (New Prospect), 30N-Maccan and 74N-Springhill. The facility is available to receive transfer trips from Parrsboro, Maccan and Springhill.</p> <p>1.3 A SCADA/RTU facility was installed to provide metering, control and alarm information to NSPI's Ragged Lake Control Centre (ECC).</p> <p><b>2.0 37N-Parrsboro Substation</b></p> <p>2.1 Protection for Line L-5582 to the Force Substation was provided by a line differential relay SEL-311L. The 311L relay provides current differential protection, distance protection, directional overcurrent protection, metering and reclosing of the transmission line L-5582. A SEL-311C relay was provided as the backup protection relay. One panel serves as the line protection and breaker control panel.</p>
<p>Transmission Engineering</p> <p><b>Department</b></p>	<p>Prepared by: <u>J.P. Charlton, P.Eng.</u></p> <p>Customer Operations checked by: _____</p> <p>approved by: _____</p> <p><b>Division</b> approved by: _____</p>



# Facilities Study Report

W.O.no.: IR#647 Page 13

Project: Addition of 1.5 MW Tidal Generation at 90N-FORCE Substation

Date: 2022-09-22 Rev. No.: 1

System	Description
	<p>2.2 Protection for Line L-5550 to Maccan at the Parrsboro terminal includes the tap transformer 37N-T51. An SEL-311C relay was installed to provide distance and directional neutral overcurrent protection looking towards the Maccan terminal. With the tap transformer located next to the line terminal, the zone 1 distance protection may operate on faults inside the transformer to trip the breaker and this may not coordinate with the transformer high side fuse. The zone 2 protection shall only be operated in time delayed mode and not the permissive overreach scheme. Another distance protection relay (SEL-311A or GE-D30) was provided as the backup protection.</p> <p>2.3 A new panel was provided for L-5550 protection.</p> <p>2.4 An islanding protection scheme was installed at Parrsboro to transfer trip the Force generation when the 69 kV breaker 37N-582 is opened at Parrsboro. The islanding and reclosing logic utilizes the status of the 90N-Force Substation breaker.</p> <p>2.5 A tele-protection facility was installed at the Parrsboro Substation to provide line differential, transfer trip and permissive trip channels to the Force Substation and transfer trip and permissive trip (for future 138 kV upgrade only) to the Maccan Substation.</p> <p>2.6 An RTU was provided for metering, control, alarm and indication for the substation.</p> <p>2.7 Three PTs at the L-5550 terminal and one PT at the Force line terminal were installed.</p> <p>2.8 SCADA metering was added to L-5582, including accumulated energy (mwhr &amp; mvahr), that also provides back up to the revenue metering.</p>

Transmission Engineering	Prepared by: <u>J.P. Charlton, P.Eng.</u>	Customer Operations checked by: _____
<b>Department</b>	approved by: _____	<b>Division</b> approved by: _____



# Facilities Study Report

W.O.no.: IR#647 Page 14

Project: Addition of 1.5 MW Tidal Generation at 90N-FORCE Substation

Date: 2022-09-22 Rev. No.: 1

System	Description
	<p><b>3.0 30N-Maccan Substation</b></p> <p>3.1 The L-5029 line protection panel P-10 was modified to replace the existing overcurrent relays with a SEL-311C relay and a SEL-311A relay to match the protection relays at Parrsboro.</p> <p>3.2 The distance scheme operates as step distance with no permissive overreach function and adds torque control overcurrent to coordinate with the high side fuse of the transformer at Parrsboro.</p> <p>3.3 An islanding protection scheme was provided to transfer trip the Force generation when the L-5550/L-5029 breaker 30N-529 is opened. The islanding logic utilizes the status of the Force Substation breaker.</p> <p>3.4 The tele-protection facility was upgraded at the Maccan Substation to provide transfer trip and permissive trip (for 138 kV upgrade) to the Parrsboro Substation.</p> <p>3.5 A Kirk key interlock scheme was installed for the by-pass disconnect switch 30N-558 c/w electrical contacts for use in the event that breaker 30N-529 is out of service for maintenance. The islanding protection for 30N-529 shall be transferred to 30N-548 when 30N-558 by-pass switch is closed and Switch 30N-559 is open to provide for breaker maintenance on 30N-529.</p> <p>3.6 A Kirk key interlock scheme was provided for the by-pass disconnect switch 30N-579 c/w electrical contacts for use in the event that Parrsboro 69 kV bus is fed from 74N-Springhill. The islanding protection for Maccan 30N-529 breaker shall be transferred to the Springhill breaker 74N-511 when the by-pass switch 30N-579 is closed.</p> <p>3.7 A new line PT was installed at the L-5550 line terminal for the auto-reclosing of breaker 30N-529.</p>

Transmission Engineering	Prepared by: <u>J.P. Charlton, P.Eng.</u>	Customer Operations checked by: _____
<b>Department</b>	approved by: _____	<b>Division</b> approved by: _____



# Facilities Study Report

W.O.no.: IR#647 Page 15

Project: Addition of 1.5 MW Tidal Generation at 90N-FORCE Substation

Date: 2022-09-22 Rev. No.: 1

System	Description
<p><b>4.1.5</b></p>	<p><b>4.0 74N-Springhill Substation</b></p> <p>4.1 An Islanding protection scheme was installed at the L-5029 protection panel to transfer trip the generation at the Force Substation when the by-pass switch 30N-579 is closed. Breaker status from the Force Substation and the status of the by-pass switch 30N-579 at Maccan are available at Springhill.</p> <p><b>Communications:</b></p> <p>Nova Scotia Power established a communication link between the 90N-FORCE Substation, 37N-Parrsboro, and NSPI’s Energy Control Center at Ragged Lake via NSPI’s existing radio site at Kirkhill as described in appendix “F”. These communication links serve both SCADA and teleprotection requirements.</p> <p><b>4.2 NSPI Work Completed at 90N-FORCE Substation</b></p> <p>a) Installation and commissioning of telecommunications equipment (including tower, antenna, feed line and the communications cabinet)</p> <p>b) Installation of a dc supply to communications cabinet.</p> <p>c) Wiring and installation of revenue meters by NSPI Meter Services.</p> <p><b>4.3 NSPI Work Completed at 30N-Maccan</b></p> <p>a) Installation of line 69kV PT &amp; PT junction box</p> <p>b) Line L-5550 Protection Panel modifications</p> <p>c) Installation of Kirk interlocks on bypass disconnect switches 30N-558 and 30N-579</p>

Transmission Engineering	Prepared by: <u>J.P. Charlton, P.Eng.</u>	Customer Operations checked by: _____
<b>Department</b>	approved by: _____	<b>Division</b> approved by: _____





# Facilities Study Report

W.O.no.: IR#647 Page 16

Project: Addition of 1.5 MW Tidal Generation at 90N-FORCE Substation

Date: 2022-09-22 Rev. No.: 1

System	Description
<p><b>4.4</b></p> <p><b>5.0</b></p> <p><b>5.1</b></p> <p><b>5.2</b></p>	<p><b>NSPI Work Completed at 74N-Springhill</b></p> <p>a) L-5029 Protection Panel Modifications.</p> <p><b>SCOPE OF WORK COMPLETED BY FORCE:</b></p> <p><b>Single Line Diagram</b></p> <p>A customer supplied preliminary single line diagram of the 90N-FORCE Substation is provided in Appendix "A".</p> <p><b>Permits, Approvals &amp; Standards</b></p> <p>The customer facilities are subject to the minimum requirements of the latest edition of the Canadian Electrical Code, CSA C22.1, for the purpose of wiring inspection. The cost associated with acquiring a wiring permit and the associated electrical inspections by Nova Scotia Power, were the responsibility of FORCE. An overview of the Inspection Authority requirements in Nova Scotia are outlined below:</p> <ul style="list-style-type: none"> <li>• Nova Scotia utilities perform inspections in approximately 99% of the province</li> <li>• Electrical Inspection Act requires that electrical work be performed under permit.</li> <li>• Contractors must take out permits for work at voltage levels below and above 750V – including work on customer owned substations.</li> <li>• Plans must be submitted for review and all equipment must be approved by a Recognized certification authority (CSA, ULC, etc.)</li> <li>• Lead times – inspection service level is &lt; 5 days from request – normally manage &lt; 3 Days.</li> <li>• No equipment will be connected or energized without authorization of the inspector.</li> <li>• HV contractors need to be reminded about CEC requirements – Should</li> </ul>
<p>Transmission Engineering</p> <p><b>Department</b></p>	<p>Prepared by: <u>J.P. Charlton, P.Eng.</u></p> <p>Customer Operations checked by: _____</p> <p>approved by: _____</p> <p><b>Division</b> approved by: _____</p>



# Facilities Study Report

W.O.no.: IR#647 Page 17

Project: Addition of 1.5 MW Tidal Generation at 90N-FORCE Substation

Date: 2022-09-22 Rev. No.: 1

System	Description
<p><b>5.3</b></p> <p><b>Transmission Line</b></p> <p>The transmission line between Parrsboro and 90N-FORCE was built to 138kV standards and originally operated as a 25kV express feeder. In order to accommodate IR#516 and IR#517, the supply was upgraded to 69kV via the addition of a 69kV bay and breaker at the Parrsboro substation (37N).</p> <p><b>5.4</b></p> <p><b>Interconnection Substation</b></p> <p>The complete layout and electrical design of the FORCE Interconnection Substation was the responsibility of FORCE, including the revenue metering.</p> <p><b>5.5</b></p> <p><b>SCADA at 90N-FORCE</b></p> <p>FORCE has provided sufficient RTU capability at 90N to accommodate all of NSPI's required data, status information, alarms and control points listed below.</p> <p><b>Implementation Details:</b></p> <p>NSPI's method for exchanging this data is through a serial link between our RTU and the Control System, using the DNP3 protocol.</p> <p><b>Serial Configuration:</b></p> <p>NSPI's standard serial configuration is 9600 baud, 8 bits, no parity and 1 stop bit.</p>	<p>arrange a meeting with the inspection authority at the appropriate time.</p>
<p>Transmission Engineering</p> <p><b>Department</b></p>	<p>Prepared by: <u>J.P. Charlton, P.Eng.</u></p> <p>Customer Operations checked by: _____</p> <p>approved by: _____</p> <p><b>Division</b> approved by: _____</p>



# Facilities Study Report

W.O.no.: IR#647 Page 18

Project: Addition of 1.5 MW Tidal Generation at 90N-FORCE Substation

Date: 2022-09-22 Rev. No.: 1

System	Description
--------	-------------

**DNP3 Configuration:**

NSPI's RTU is configured as a DNP3 Master, Master Address 1. The Control System end of the link is configured as a DNP3 Slave.

**Event classes:**

Object	Event Class
Binary Input	1
Analog Input	2
Accumulator (Counter) Input	3

At the 90N-FORCE Substation, FORCE provided SCADA control and indication to Nova Scotia Power Energy Control Centre via the radio communications system for the following;

- a) Command for orderly shutdown of IC generation (limit to zero MW generation) via single instruction to 90N-FORCE
- b) Command to permit curtailment to 1/3 Generation MW capacity via single curtailment instruction to 90N-FORCE
- c) Command to permit curtailment 2/3 Generation MW capacity via single curtailment instruction to 90N-FORCE
- d) Command to permit full generation MW capacity (allow full MW output) via single curtailment instruction to 90N-FORCE

Transmission Engineering	Prepared by: <u>J.P. Charlton, P.Eng.</u>	Customer Operations	checked by: _____
<b>Department</b>	approved by: _____	<b>Division</b>	approved by: _____



# Facilities Study Report

W.O.no.: IR#647 Page 19

Project: Addition of 1.5 MW Tidal Generation at 90N-FORCE Substation

Date: 2022-09-22 Rev. No.: 1

System	Description
	<p>e) Status of Generation output limiting with regards to above four (4) MW limits</p> <p>f) Control, Alarms &amp; Status of breaker 90N-551;</p> <p style="padding-left: 40px;"><b>Scada Breaker Control:</b></p> <ul style="list-style-type: none"> <li>- Breaker 90N-551 Close and Trip</li> </ul> <p style="padding-left: 40px;"><b>Local Control (SCADA) initiated by the following device:</b></p> <ul style="list-style-type: none"> <li>- Breaker in Local control</li> </ul> <p style="padding-left: 40px;"><b>Non-Urgent (SCADA) initiated by the following device:</b></p> <ul style="list-style-type: none"> <li>- Breaker 90N-551 Gas Monitor Trouble</li> </ul> <p style="padding-left: 40px;"><b>Breaker 90N-551 Urgent (SCADA) initiated by the following devices:</b></p> <ul style="list-style-type: none"> <li>- Breaker 90N-551 SF6 Density Low</li> <li>- Breaker 90N-551 Motor Overload</li> <li>- Breaker 90N-551 Trip Circuit Failed</li> </ul> <p style="padding-left: 40px;"><b>Breaker 90N-551 Control Lockout (SCADA) initiated by the following device:</b></p> <ul style="list-style-type: none"> <li>- Breaker 90N-551 SF6 Control Blocked</li> </ul> <p style="padding-left: 40px;"><b>Scada Breaker Indication:</b></p> <ul style="list-style-type: none"> <li>- Breaker 90N-551 SCADA Closed indication</li> </ul> <p>g) Status of all 13.8kV breakers</p> <p>h) Individual Berth holder watts, vars, watt-hours, var-hours, voltage</p> <p>i) 90N-FORCE total watts, vars, watt-hours, var hours, voltage</p> <p>j) Pf set point control at the FORCE 13.8kV bus</p>

Transmission Engineering	Prepared by: <u>J.P. Charlton, P.Eng.</u>	Customer Operations checked by: _____
<b>Department</b>	approved by: _____	<b>Division</b> approved by: _____



# Facilities Study Report

W.O.no.: IR#647 Page 20

Project: Addition of 1.5 MW Tidal Generation at 90N-FORCE Substation

Date: 2022-09-22 Rev. No.: 1

System	Description
<p><b>6.0</b></p> <p><b>6.1</b></p> <p><b>6.2</b></p> <p><b>7.0</b></p>	<p>k) Individual Berth holder communication link status</p> <p>It is to be noted that the above SCADA listings represent the minimum requirements consistent with all IPPs. Any subsequent agreement between NSPI and FORCE for the operation of the 90N FORCE Substation may impact these requirements.</p> <p><b>SCOPE OF WORK BY INTERCONNECTION CUSTOMER:</b></p> <p><b>Interconnection Facilities</b></p> <p>The Interconnection Customer is responsible for the design and construction of all required interconnection facilities necessary to connect their tidal systems to the 90N-FORCE facility.</p> <p><b>Permits, Approvals &amp; Standards</b></p> <p>The Interconnection Customer is responsible for acquiring all necessary permits and approvals for the installation of their in-stream tidal generator arrays, and for complying with the applicable standards for the design and construction of their interconnection facilities (ref Section 5.2).</p> <p><b>REVENUE METERING:</b></p> <p>NSPI has installed revenue metering at the Point of Interconnection (37N-Parrsboro Substation).</p> <p>At 90N-FORCE, revenue metering is required for each individual berth holder connected to the 13.8kV switchgear as well as the station service supply. The facility for remote interrogation of the revenue meters shall be provided by FORCE.</p>

<p>Transmission Engineering</p> <p><b>Department</b></p>	<p>Prepared by: <u>J.P. Charlton, P.Eng.</u></p> <p>approved by: _____</p>	<p>Customer Operations</p> <p>checked by: _____</p> <p><b>Division</b> approved by: _____</p>
--	--	---



# Facilities Study Report

W.O.no.: IR#647 Page 21

Project: Addition of 1.5 MW Tidal Generation at 90N-FORCE Substation

Date: 2022-09-22 Rev. No.: 1

System	Description
8.0	<p>At the 90N-FORCE Substation, FORCE has supplied and installed the required Measurement Canada approved revenue metering PTs and CTs, and associated raceways and meter mounting facilities. Nova Scotia Power’s Meter Services Group has installed the wiring to Nova Scotia Power specifications including color coded wiring and test switch as per Nova Scotia Power metering standard STD <u>5.12</u> herein attached as Appendix C: Revenue Metering.</p> <p>NSPI Meter Services have approved the panel mounted ION 7650 meters that are existing on the switchgear for each berth holder.</p> <p>The bus PTs that are currently on the 13.8kV bus in the switchgear line up are used for local metering and protection. A dedicated set of PTs has been added for the purpose of revenue metering.</p> <p>Nova Scotia Power &amp; FORCE collaborated on the final design of the revenue metering approach given that the POI is at 37N-Parrsboro and the individual berth holders are metered at 90N-FORCE.</p> <p><b>COMMISSIONING:</b></p> <p>The following commissioning activities were undertaken with IR#516 and IR#517:</p> <ul style="list-style-type: none"> <li>▪ At the 37N-Parrsboro Substation, Nova Scotia Power have performed the necessary primary and secondary commissioning of all protection, control, metering, telecommunications, and SCADA modifications.</li> <li>▪ At the FORCE substation, FORCE has performed the commissioning on all primary and secondary equipment including the revenue metering PTs and CTs.</li> </ul>

Transmission Engineering	Prepared by: <u>J.P. Charlton, P.Eng.</u>	Customer Operations checked by: _____
<b>Department</b>	approved by: _____	<b>Division</b> approved by: _____



# Facilities Study Report

W.O.no.: IR#647 Page 22

Project: Addition of 1.5 MW Tidal Generation at 90N-FORCE Substation

Date: 2022-09-22 Rev. No.: 1

System	Description
	<ul style="list-style-type: none"> <li>▪ Joint verification of the communications medium and terminal equipment between the IC’s interconnection substation and Nova Scotia Power’s communications facilities was completed.</li> </ul> <p>In addition to the tasks listed above, Nova Scotia Power has reviewed;</p> <ul style="list-style-type: none"> <li>▪ The insulation test results of the Customer’s 138 kV circuit breaker, revenue metering PTs / CTs and the substation HV disconnect switch.</li> <li>▪ The relay settings, relay test results and injection test results associated with the interconnection protection.</li> <li>▪ Secondary commissioning and trip test results for interface protection, control and metering systems that interface to the Nova Scotia Power transmission system.</li> <li>▪ The final trip tests of interface protection</li> </ul> <p>These reviews ensured that the FORCE substation was ready to be energized and accepted onto the system. Nova Scotia Power’s Meter Services tested and confirmed the revenue metering being installed in the IC’s substation including communications providing AMR (Automatic Meter Reading) back to Halifax via the new radio communications link.</p>

Transmission Engineering  <b>Department</b>	Prepared by: <u>J.P. Charlton, P.Eng.</u>  approved by: _____	Customer Operations checked by: _____  <b>Division</b> approved by: _____
---	---	---



# Facilities Study Report

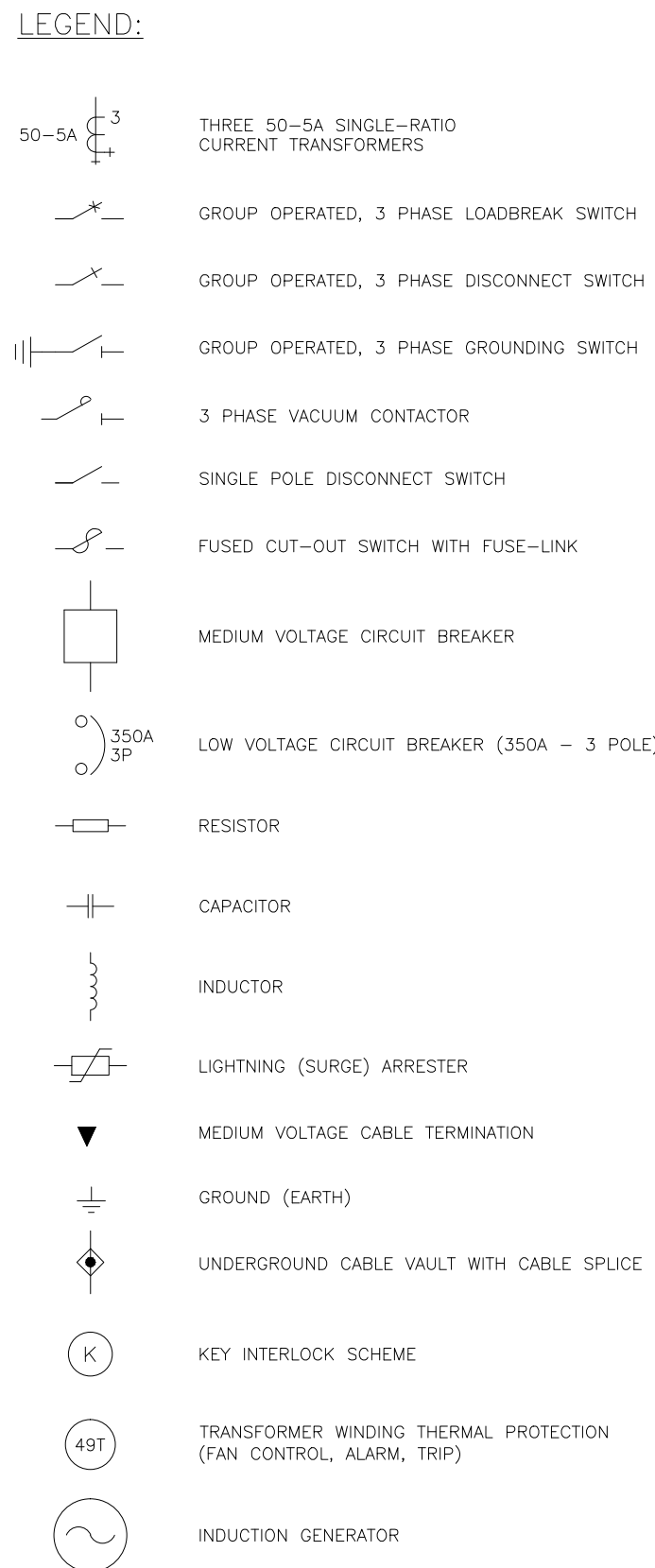
W.O.no.: IR#647 Appendix A

Project: Addition of 1.5 MW Tidal Generation at 90N-FORCE Substation

Date: 2022-09-22 Rev. No.: 1

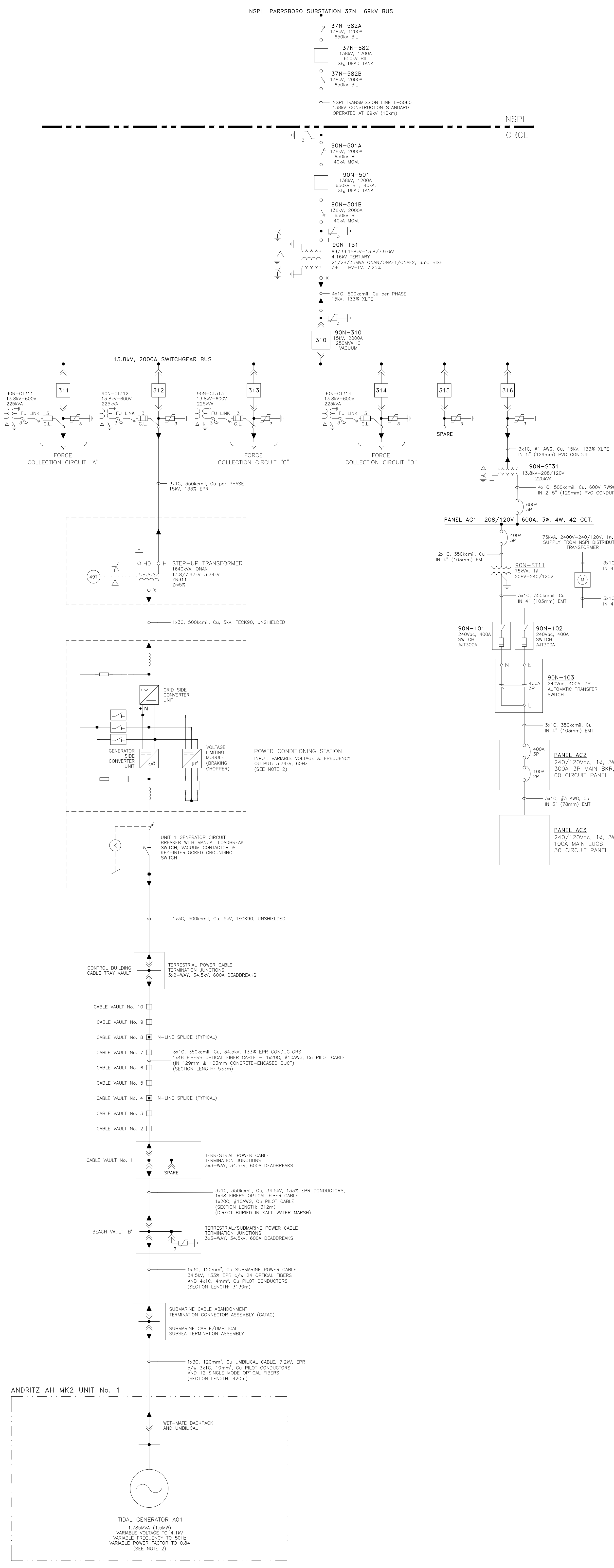
System	Description
	<p style="text-align: center;"><b>APPENDIX A:</b></p> <p><b>1) 90N-FORCE Single Line Diagrams</b></p>
Transmission Engineering	Prepared by: <u>J.P. Charlton, P.Eng.</u> Customer Operations checked by: _____
<b>Department</b>	approved by: _____ <b>Division</b> approved by: _____





**NOTES:**

- REFER TO FORCE DWG. Nos. 038-022-E-3001 (SHEET 1 OF 2) AND 038-022-E-3002 (SHEET 2 OF 2) FOR COMPLETE FORCE INTERE SUBSTATION AND COLLECTION CIRCUIT SINGLE LINE DIAGRAMS
- REFER TO ANDRITZ HYDRO DWG. No. AHY-UT-DWG-001, REV.1 FOR PHASE 1 SINGLE LINE DIAGRAM



NO.	DATE	LOCATION	REVISIONS	MADE BY
402	2021-09-08		ISSUED FOR REFERENCE WITH NSPI INTERCONNECTION REQUEST FORM	R.F.M.
401	2021-09-07		ISSUED FOR CLIENT REVIEW	R.F.M.

NO.	DATE	LOCATION	REVISIONS	MADE BY
038-022-E-3001				
038-022-E-3002				
AHY-UT-DWG-001				

NO.	DATE	LOCATION	REVISIONS	MADE BY
038-022-E-3001				
038-022-E-3002				
AHY-UT-DWG-001				

NO.	DATE	LOCATION	REVISIONS	MADE BY
038-022-E-3001				
038-022-E-3002				
AHY-UT-DWG-001				

NO.	DATE	LOCATION	REVISIONS	MADE BY
038-022-E-3001				
038-022-E-3002				
AHY-UT-DWG-001				

NO.	DATE	LOCATION	REVISIONS	MADE BY
038-022-E-3001				
038-022-E-3002				
AHY-UT-DWG-001				

NO.	DATE	LOCATION	REVISIONS	MADE BY
038-022-E-3001				
038-022-E-3002				
AHY-UT-DWG-001				

NO.	DATE	LOCATION	REVISIONS	MADE BY
038-022-E-3001				
038-022-E-3002				
AHY-UT-DWG-001				

NO.	DATE	LOCATION	REVISIONS	MADE BY
038-022-E-3001				
038-022-E-3002				
AHY-UT-DWG-001				

NO.	DATE	LOCATION	REVISIONS	MADE BY
038-022-E-3001				
038-022-E-3002				
AHY-UT-DWG-001				

NO.	DATE	LOCATION	REVISIONS	MADE BY
038-022-E-3001				
038-022-E-3002				
AHY-UT-DWG-001				

NO.	DATE	LOCATION	REVISIONS	MADE BY
038-022-E-3001				
038-022-E-3002				
AHY-UT-DWG-001				

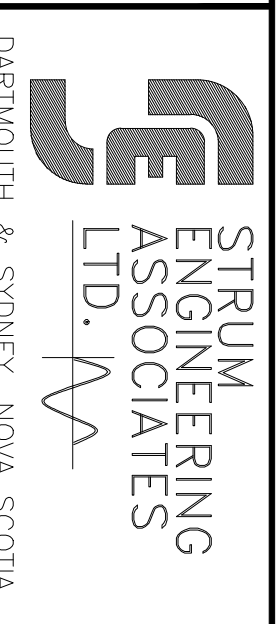
NO.	DATE	LOCATION	REVISIONS	MADE BY
038-022-E-3001				
038-022-E-3002				
AHY-UT-DWG-001				

NO.	DATE	LOCATION	REVISIONS	MADE BY
038-022-E-3001				
038-022-E-3002				
AHY-UT-DWG-001				

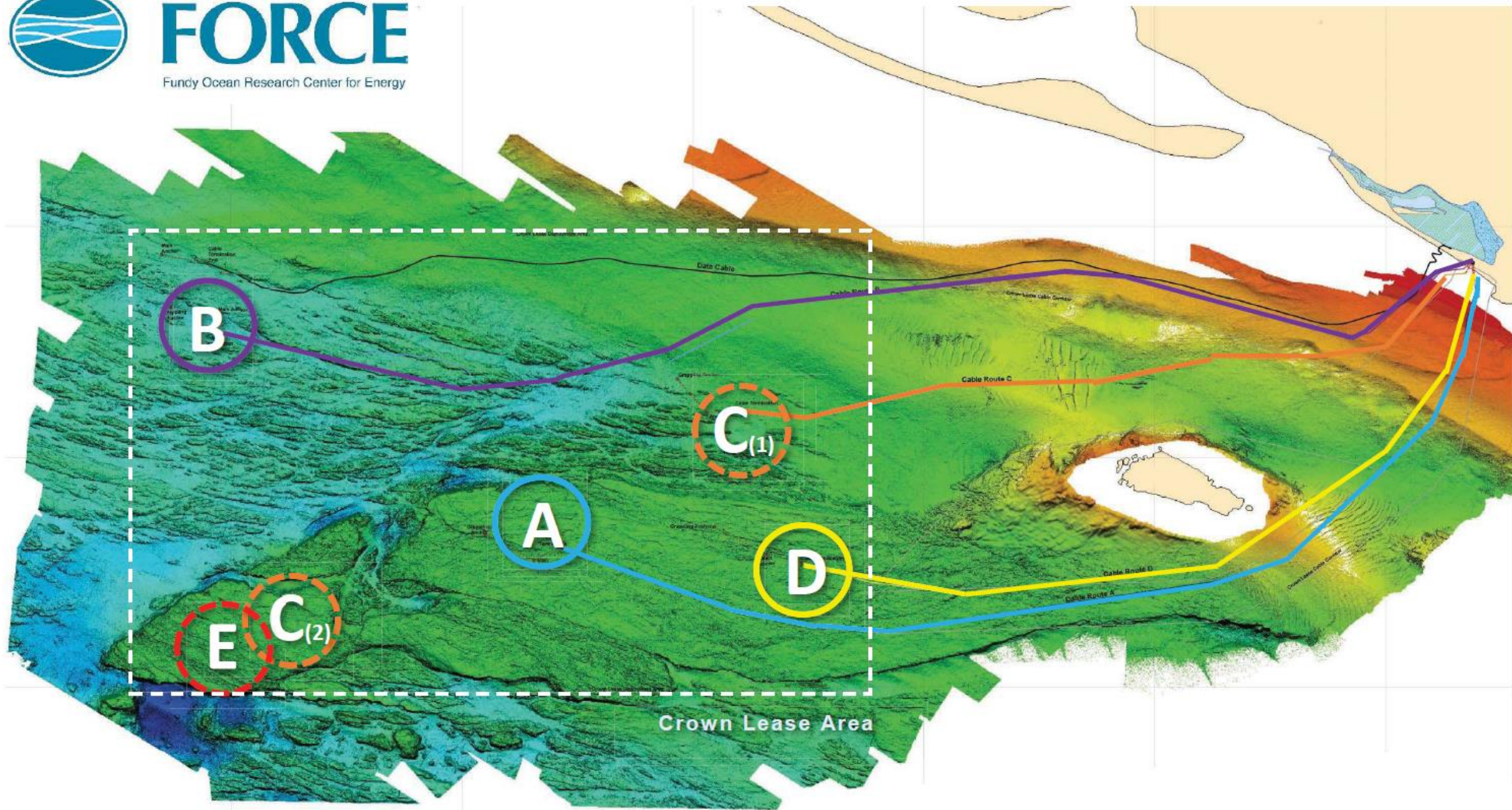
NO.	DATE	LOCATION	REVISIONS	MADE BY
038-022-E-3001				
038-022-E-3002				
AHY-UT-DWG-001				



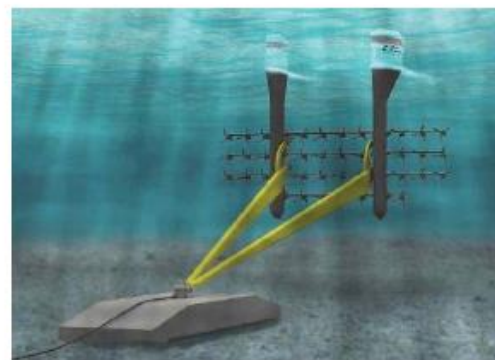
CLIENT: HALIGONIA TIDAL ENERGY LIMITED  
 TITLE: USISCE TAPA TIDAL PROJECT  
 COLLECTION CIRCUIT/BERTH 'B'  
 PHASE 1 - 1x1.5MW TIDAL GENERATOR  
 SINGLE LINE DIAGRAM



**FORCE**  
Fundy Ocean Research Center for Energy



**Berth B:** Black Rock Tidal Power (SCHOTTEL)



**Berth E:** DP Energy Services (Andritz)



**Berth C:** Atlantis Resources



**Berth A:** Minas Energy

 **MinasEnergy**  
POSITIVE SOLUTIONS

**Berth D:** OpenHydro (DCNS/Emera)





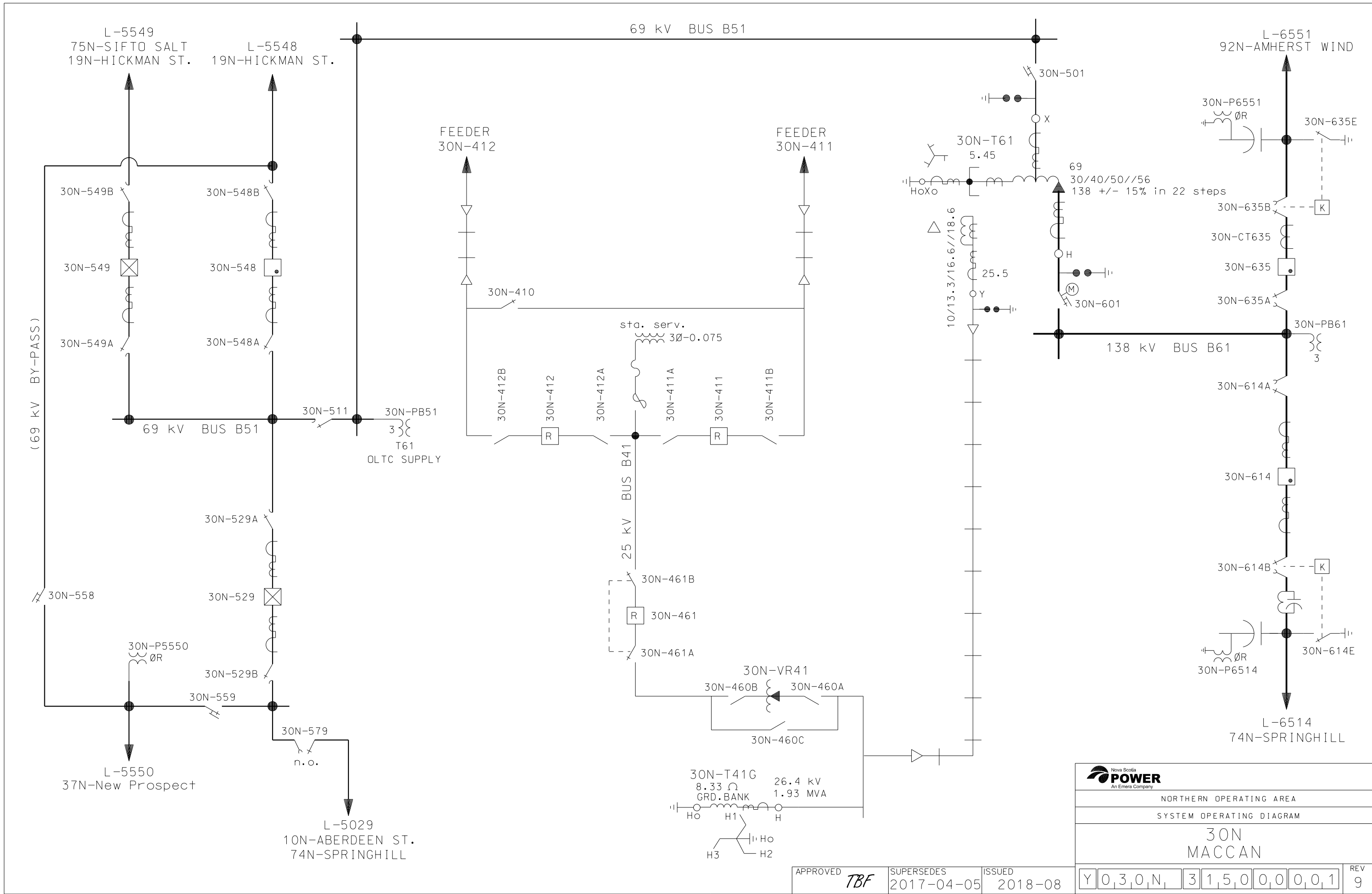
# Facilities Study Report


W.O.no.: IR#647 Appendix B

Project: Addition of 1.5 MW Tidal Generation at 90N-FORCE Substation

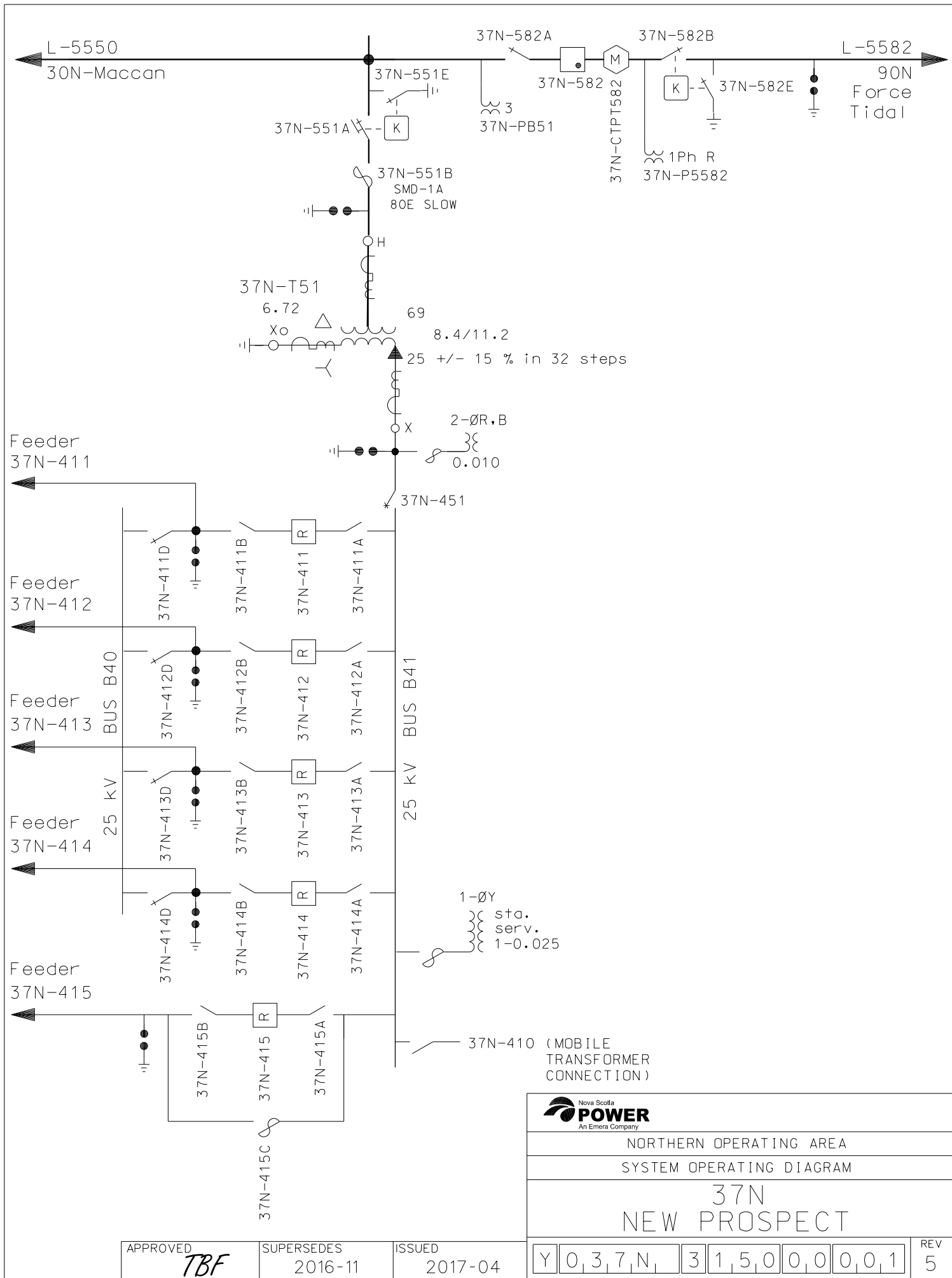
Date: 2022-09-22 Rev. No.: 1


System	Description
	<p style="text-align: center;"><b>APPENDIX B:</b></p> <ol style="list-style-type: none"><li>1) <b>30N-Maccan System Operating Diagram</b></li><li>2) <b>37N-Parrsboro (New Prospect) System Operating Diagram</b></li><li>3) <b>37N-Parrsboro (New Prospect) Plan View</b></li><li>4) <b>74N-Springhill System Operating Diagram</b></li></ol>
Transmission Engineering <b>Department</b>	Prepared by: <u>J.P. Charlton, P.Eng.</u> approved by: _____ Customer Operations checked by: _____ <b>Division</b> approved by: _____



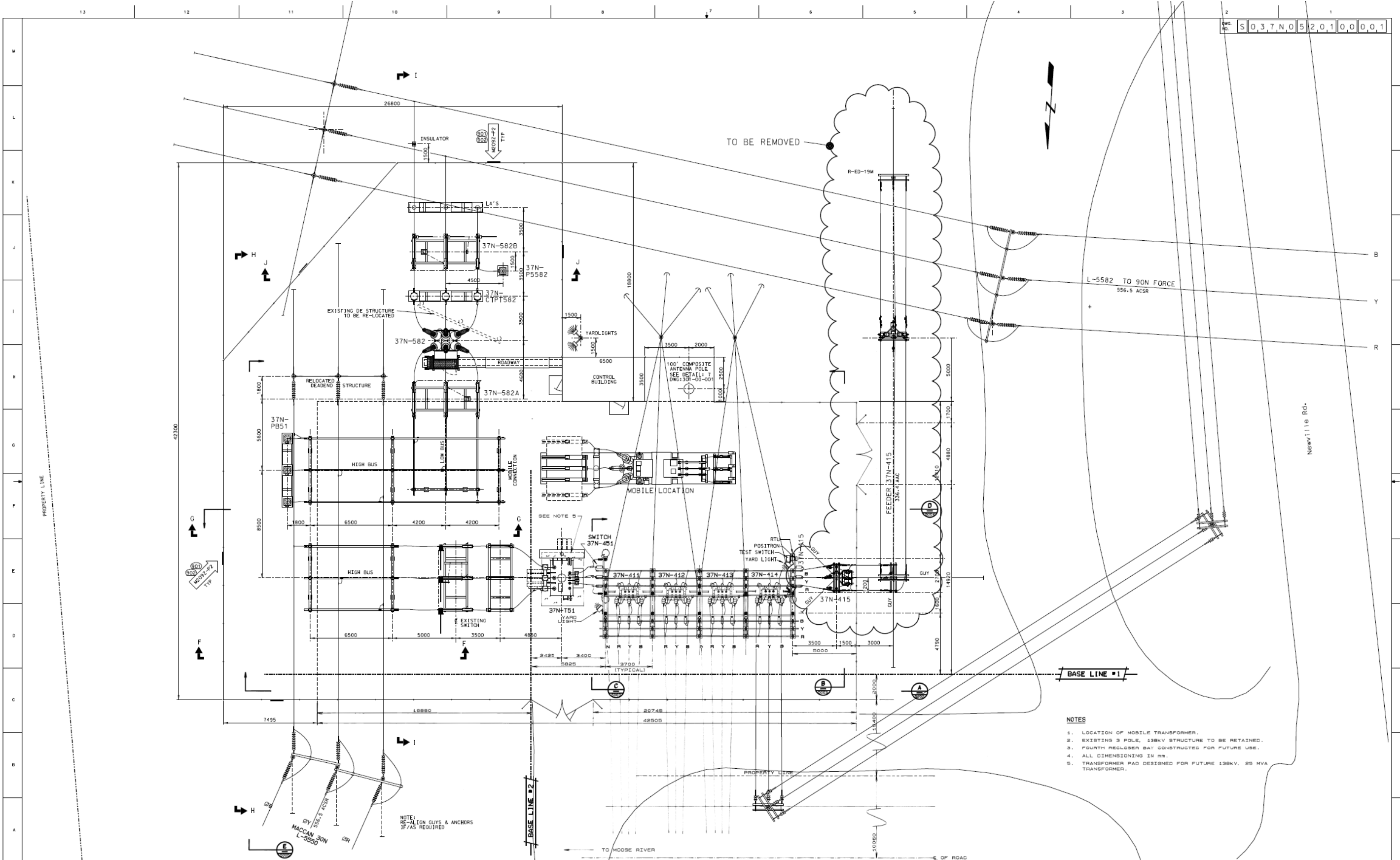
	
NORTHERN OPERATING AREA	
SYSTEM OPERATING DIAGRAM	
<h1>30N MACCAN</h1>	
APPROVED	TBF
SUPERSEDES	2017-04-05
ISSUED	2018-08
Y 0 3 0 N 1	3 1 5 0 0 0 0 0 1
REV 9	

DWG.NO.



														
NORTHERN OPERATING AREA														
SYSTEM OPERATING DIAGRAM														
<b>37N</b> <b>NEW PROSPECT</b>														
APPROVED <i>TBF</i>	SUPERSEDES 2016-11													
ISSUED 2017-04	<table border="1" style="display: inline-table;"> <tr> <td>Y</td> <td>0</td> <td>3</td> <td>7</td> <td>N</td> <td>3</td> <td>1</td> <td>5</td> <td>0</td> <td>0</td> <td>0</td> <td>0</td> <td>1</td> </tr> </table>	Y	0	3	7	N	3	1	5	0	0	0	0	1
Y	0	3	7	N	3	1	5	0	0	0	0	1		
DWG.NO.														
REV <b>5</b>														

S 0 3 7 N 0 5 2 0 1 0 0 0 0 1



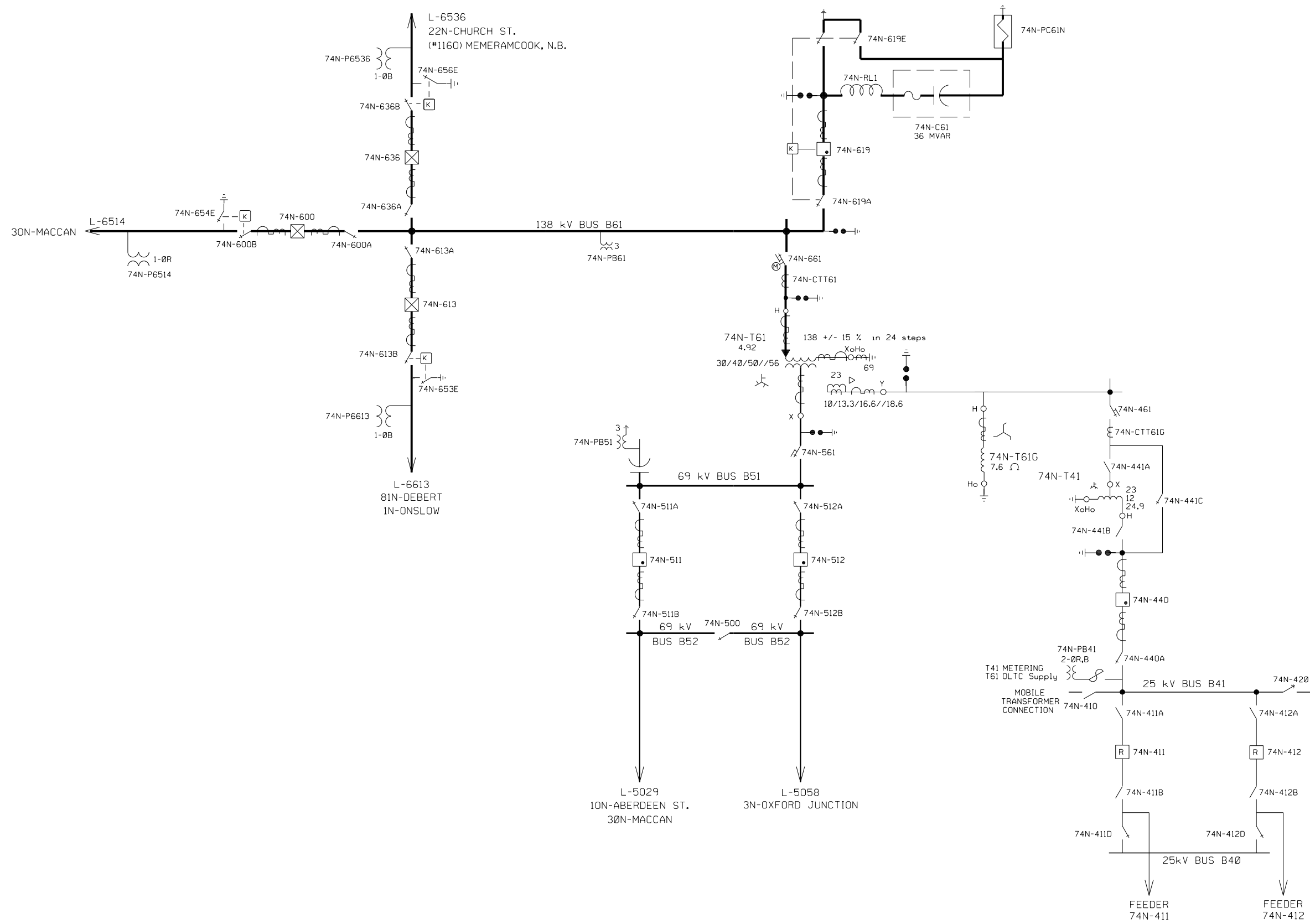
**NOTES**

1. LOCATION OF MOBILE TRANSFORMER.
2. EXISTING 3 POLE, 138KV STRUCTURE TO BE RETAINED.
3. FOURTH RECLOSER BAY CONSTRUCTED FOR FUTURE USE.
4. ALL DIMENSIONING IN MM.
5. TRANSFORMER PAD DESIGNED FOR FUTURE 138KV, 25 MVA TRANSFORMER.

REFERENCE DRAWINGS	DWG. NO.
ELEVATION E	S 0 3 7 N 0 5 2 0 1 0 0 0 0 1
ELEVATION D	S 0 3 7 N 0 5 2 0 1 0 0 0 0 1
ELEVATION B AND C	S 0 3 7 N 0 5 2 0 1 0 0 0 0 1
ELEVATION A	S 0 3 7 N 0 5 2 0 1 0 0 0 0 1
OVERALL VIEW & APPROACH STRUCTURES	S 0 3 7 N 0 5 2 0 1 0 0 0 0 1

DATE	BY	PER	DESCRIPTION
2016-09-30	PER	5	2016-09-30 PER
2012-01-30	PER	5	ADDED FEEDER 37N-415 & ASSOC EQUIPMENT.
2001-12-17	CS	3	AS BUILT.
2001-04-02	DC	1	AS BUILT.
2016-02-19	PER	4	ADDED 69kV LINE TO 90N-FORCE.
2002-04-26	CS	4	REPLACED XFMR. 37N-T51
2001-08-02	CS	2	ADDED POSITION-RTU & TEST SWITCH CABINET.
1999-04-21	DATE		

	DEPARTMENTAL APPROVALS DR: G APPROVED: [Signature] DATE: 16-09-2016	SCALE: 1:1100 UNITS: MILLIMETRES DESIGNED: G. V. G. SURVEYED: CHECKED: G. D. L. DATE: 1999-04-21 W.D.: T885	NORTHERN AREA 37N-PARRSBORO SUBSTATION PLAN VIEW
	S 0 3 7 N 0 5 2 0 1 0 0 0 0 1		



NORTHERN OPERATING AREA  
 SYSTEM OPERATING DIAGRAM  
 74N  
 SPRINGHILL

APPROVED <i>TBF</i>	SUPERSEDES 2018-02	ISSUED 2018-06	Y 0 7 4 N 1 3 1 5 0 0 0 0 0 1	REV 14
------------------------	-----------------------	-------------------	-------------------------------	-----------

DWG.NO.



# Facilities Study Report

W.O.no.: IR#647 Appendix C

Project: Addition of 1.5 MW Tidal Generation at 90N-FORCE Substation

Date: 2022-09-22 Rev. No.: 1

System	Description
	<p style="text-align: center;"><b>APPENDIX C:</b> <b>Revenue Metering</b></p>
Transmission Engineering <b>Department</b>	Prepared by: <u>J.P. Charlton, P.Eng.</u> approved by: _____ Customer Operations checked by: _____ <b>Division</b> approved by: _____



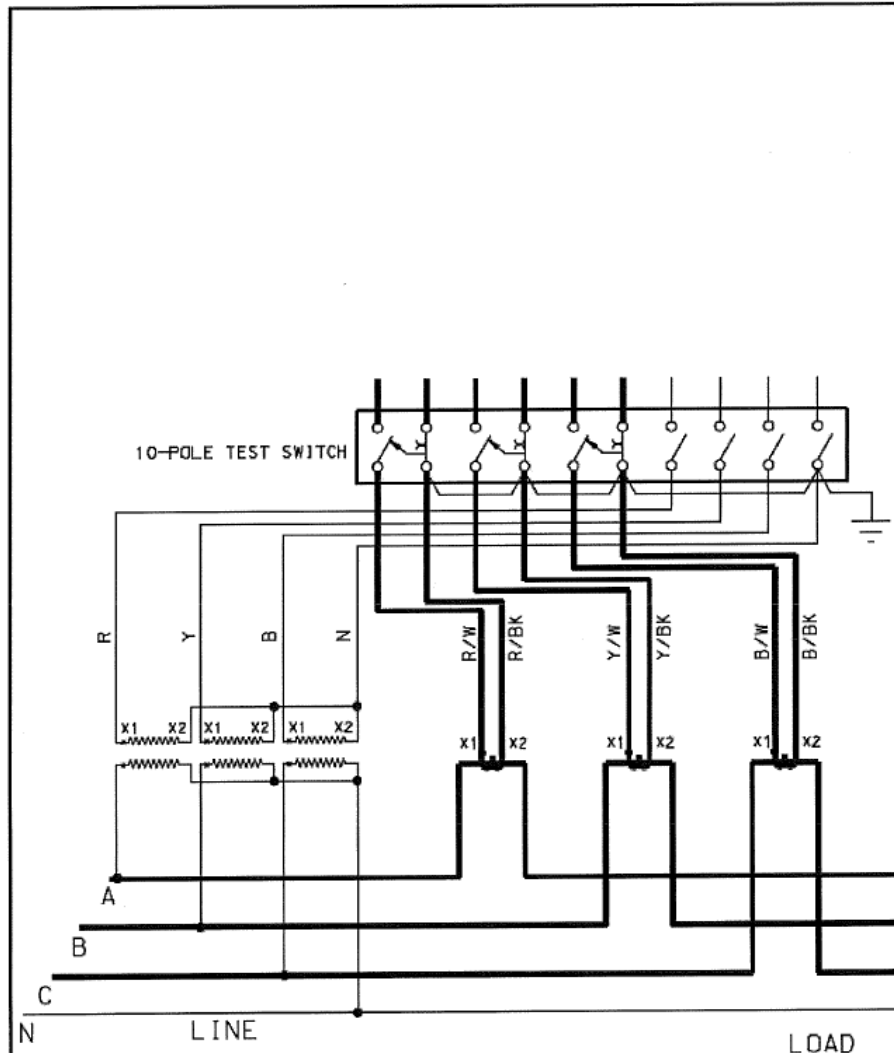
# Facilities Study Report

Project: Addition of 1.5 MW Tidal Generation at  
90N-FORCE Substation

Date: 2022-09-22 Rev. No.: 1

**System**

**Description**



**NOTES:**

1. BILLING MULTIPLIER IS METER MULTIPLIER X CT X PT RATIO.
2. REFER TO STD 5.7 FOR CONNECTIONS BETWEEN THE TEST SWITCH AND THE METER.
3. WITH INDEPENDENT POWER PRODUCERS, THE GENERATOR SIDE IS THE LINE SIDE AND NSPI IS THE LOAD SIDE.

<b>Nova Scotia Power Inc.</b> <small>Hallifax, Nova Scotia, Canada</small>		<b>METERING STANDARD</b>
3 ELEMENT, PRIMARY METERING RACK		
APPROVED DAVE STANFORD		
DATE 2009-05-22	<b>STD 5.12</b>	

Transmission  
Engineering

Prepared by: J.P. Charlton, P.Eng.

Customer  
Operations checked by: \_\_\_\_\_

**Department**

approved by: \_\_\_\_\_

**Division** approved by: \_\_\_\_\_

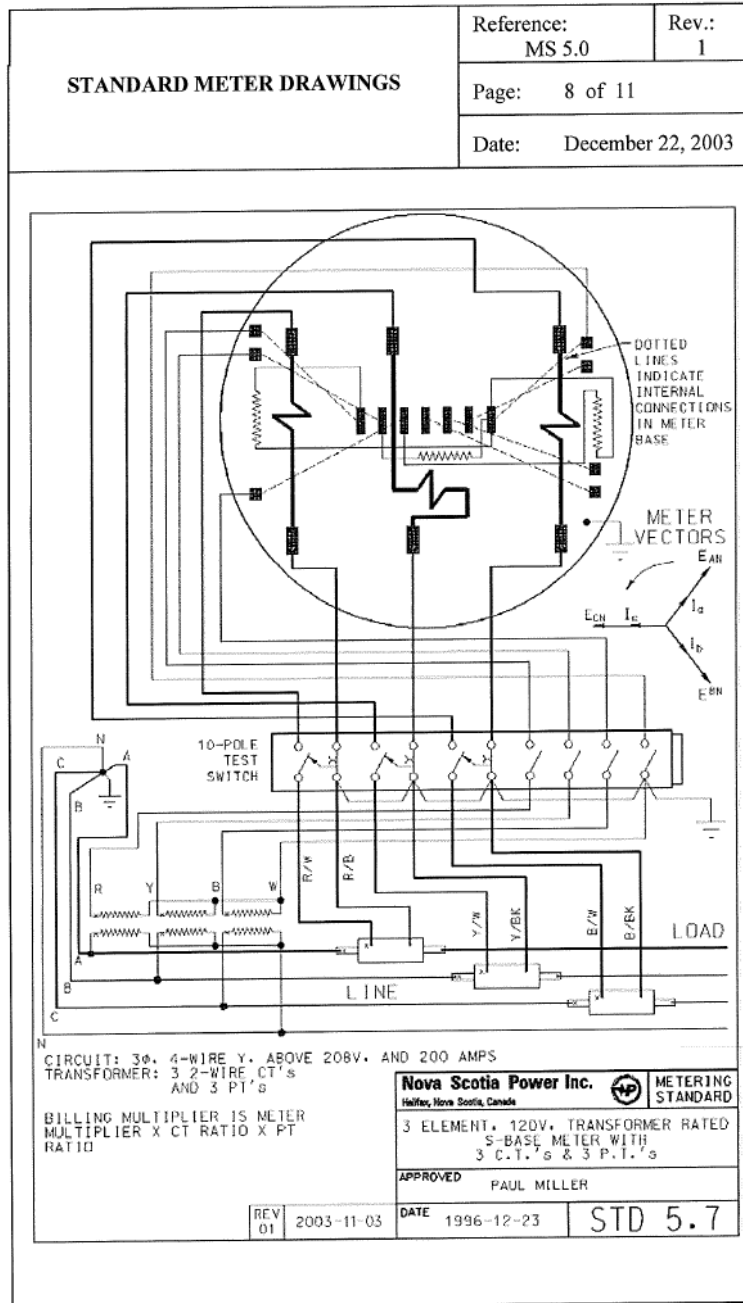
# Facilities Study Report

Project: Addition of 1.5 MW Tidal Generation at  
90N-FORCE Substation

Date: 2022-09-22 Rev. No.: 1

## System

## Description



W:\WP\S\13\07\MS\MS 5-0.doc

Transmission  
Engineering

Prepared by: J.P. Charlton, P.Eng.

Customer  
Operations checked by: \_\_\_\_\_

**Department**

approved by: \_\_\_\_\_

**Division** approved by: \_\_\_\_\_



# Facilities Study Report

W.O.no.: IR#647 Appendix D

Project: Addition of 1.5 MW Tidal Generation at 90N-FORCE Substation

Date: 2022-09-22 Rev. No.: 1

System	Description
--------	-------------

## APPENDIX D:

### Summary of TPIF Costs vs Network Upgrade Costs

Transmission Engineering

Prepared by: J.P. Charlton, P.Eng.

Customer Operations

checked by: \_\_\_\_\_

**Department**

approved by: \_\_\_\_\_

**Division**

approved by: \_\_\_\_\_



# Facilities Study Report

W.O.no.: IR#647 Appendix D

Project: Addition of 1.5 MW Tidal Generation at 90N-FORCE Substation

Date: 2022-09-22 Rev. No.: 1

System	Description
	<p>Substation &amp; System Modifications were required at 37N - Parrsboro, 30N - Maccan, and 74N - Springhill Substations for the interconnection of IR #516 and IR #517 at the 429N - FORCE Substation.</p> <p>The following is a summary of the costs associated with NSPI Network Upgrades (NU) and the costs associated with Transmission Provider Interconnection Facilities (TPIF's).</p> <p>TPIF costs – All costs associated directly with providing the interconnection to the NSPI System at the POI. In particular, these are costs associated with all facilities and equipment owned, controlled, or operated by the Transmission Provider between the Point of Change of Ownership and the Point of Interconnection. These costs are born by the Interconnection Customer(s).</p> <p>NU costs - are those changes to the NSPI System at or beyond the POI (Point of Interconnection) that are required for the new IC but also add benefits to the NSPI System. These costs are paid for by the IC, however there is a financial mechanism that returns these funds to the IC over time.</p> <p>In order for IR #647 to be a third party user of these facilities, it is required to make a capital contribution towards the cost of these upgrades.</p> <p>The differentiation of these two cost categories in general terms are as follows;</p> <p><b>TPIF costs Include:</b></p> <ul style="list-style-type: none"> <li>a) Parrsboro Substation yard expansion</li> <li>b) Control Building and associated building services at 37N-Parrsboro</li> <li>c) 125V DC supply (i.e. battery, charger, and distribution panel)</li> <li>d) Line Protection for 69kV line to 90N-FORCE (L-5582)</li> <li>e) Line protection L-5550 to 30N-Maccan</li> <li>f) Radio Communications between 90N-FORCE and NSPI's Kirkhill Radio Site</li> </ul>
<p>Transmission Engineering</p> <p><b>Department</b></p>	<p>Prepared by: <u>J.P. Charlton, P.Eng.</u></p> <p>Customer Operations checked by: _____</p> <p>approved by: _____</p> <p><b>Division</b> approved by: _____</p>



# Facilities Study Report

W.O.no.: IR#647 Appendix D

Project: Addition of 1.5 MW Tidal Generation at 90N-FORCE Substation

Date: 2022-09-22 Rev. No.: 1

System	Description
	<p>g) Radio Communications between 37N-Parrsboro Substation and NSPI's Kirkhill Radio Site</p> <p>h) 69kV Revenue Metering at Parrsboro (POI)</p> <p>i) Primary equipment at Parrsboro (including circuit breaker, bus PTs, Line PT, 1- HV group operated disconnect sw.)</p> <p>j) RTU at Parrsboro (breaker control and indication, line protection status, etc.)</p> <p>k) Line Protection at 37N-Parrsboro for L5550 to 30N-Maccan</p> <p>l) Removal of the existing 25kV interconnection equipment at 37N-Parrsboro supplying 90N-FORCE</p> <p>m) Use of NSPI's Mobile Transformer during HV work at 37N-Parrsboro</p> <p><b>Network Upgrades costs include;</b></p> <p>a) Line protection upgrades at 30N-Maccan</p> <p>b) Line protection upgrades at 74N-Springhill</p> <p>c) High Voltage Bus re-configuration at 37N-Parrsboro</p> <p>d) Lightning Arresters at 37N-Parrsboro</p> <p>e) 1- HV group operated disconnect Sw. at 37N-Parrsboro</p> <p>f) 1- 69kV Line PT at L-5550 terminal at 30N-Maccan</p>

Transmission Engineering	Prepared by: <u>J.P. Charlton, P.Eng.</u>	Customer Operations checked by: _____
<b>Department</b>	approved by: _____	<b>Division</b> approved by: _____



# Facilities Study Report

W.O.no.: IR#647 Appendix E

Project: Addition of 1.5 MW Tidal Generation at 90N-FORCE Substation

Date: 2022-09-22 Rev. No.: 1

System	Description
--------	-------------

## APPENDIX E:

### Project Costs:

- Original Estimate (NSPI Portion)
- Final Costs (NSPI Portion)
- Cost Responsibility for Each IR

Transmission Engineering	Prepared by: <u>J.P. Charlton, P.Eng.</u>	Customer Operations checked by: _____
<b>Department</b>	approved by: _____	<b>Division</b> approved by: _____





# Facilities Study Report

W.O.no.: IR#647 Appendix E

Project: Addition of 1.5 MW Tidal Generation at 90N-FORCE Substation

Date: 2022-09-22 Rev. No.: 1

System	Description										
	<h3>Final Cost (NSPI Portion)</h3> <p>The final cost for Nova Scotia Power’s work to provide the 69 kV interconnection at 37N-Parrsborro was as follows:</p> <table style="margin-left: auto; margin-right: auto;"> <tr> <td style="padding-right: 20px;">TPIF Actual Costs:</td> <td style="text-align: right;">\$1,402,630 (HST excluded)</td> </tr> <tr> <td>NU Actual Costs:</td> <td style="text-align: right;">\$ 268,182 (HST excluded)</td> </tr> <tr> <td> Total Actual Cost:</td> <td style="text-align: right;"> <b><u>\$1,670,812 (HST excluded)</u></b></td> </tr> </table> <h3>Cost Responsibility for Each IR</h3> <p>According to Section 9.9.2 of the GIA, each of the five IR’s that have utilized these TPIF is responsible for 1/5 of the TPIF costs:</p> <table style="margin-left: auto; margin-right: auto;"> <tr> <td style="padding-right: 20px;">TPIF (516/517/542/598/647):</td> <td style="text-align: right;"><b><u>\$ 280,526 (Plus HST) each</u></b></td> </tr> </table> <p>Each of the four remaining IR’s is also responsible for 1/4 of the remaining commissioning work required after installation of generation sources:</p> <table style="margin-left: auto; margin-right: auto;"> <tr> <td style="padding-right: 20px;">TPIF (516/542/598/647):</td> <td style="text-align: right;"><b><u>\$ 2,174 (Plus HST) each</u></b></td> </tr> </table> <p>As such, a capital contribution totaling <math>\\$280,526 + \\$42,079 \text{ (HST)} = \mathbf{\\$322,605}</math> is required from IR#647 for the shared usage of the <b>TPIF</b> infrastructure, unless all previous contributors have waived their rights to a Capital Cost Refund, in writing.</p> <p>A further contribution of <math>\\$2,174 + \\$326 \text{ (HST)} = \\$2,500</math> is required to pay 1/4 of the remaining commissioning activities.</p>	TPIF Actual Costs:	\$1,402,630 (HST excluded)	NU Actual Costs:	\$ 268,182 (HST excluded)	 Total Actual Cost:	 <b><u>\$1,670,812 (HST excluded)</u></b>	TPIF (516/517/542/598/647):	<b><u>\$ 280,526 (Plus HST) each</u></b>	TPIF (516/542/598/647):	<b><u>\$ 2,174 (Plus HST) each</u></b>
TPIF Actual Costs:	\$1,402,630 (HST excluded)										
NU Actual Costs:	\$ 268,182 (HST excluded)										
 Total Actual Cost:	 <b><u>\$1,670,812 (HST excluded)</u></b>										
TPIF (516/517/542/598/647):	<b><u>\$ 280,526 (Plus HST) each</u></b>										
TPIF (516/542/598/647):	<b><u>\$ 2,174 (Plus HST) each</u></b>										

Transmission Engineering	Prepared by: <u>J.P. Charlton, P.Eng.</u>	Customer Operations	checked by: _____
<b>Department</b>	approved by: _____	<b>Division</b>	approved by: _____





# Facilities Study Report

W.O.no.: IR#647 Appendix F

Project: Addition of 1.5 MW Tidal Generation at 90N-FORCE Substation

Date: 2022-09-22 Rev. No.: 1

System	Description
	<p style="text-align: center;"><b>APPENDIX F:</b></p> <p style="text-align: center;"><b>COMPLETED COMMUNICATIONS WORK</b></p>
Transmission Engineering	Prepared by: <u>J.P. Charlton, P.Eng.</u> Customer Operations checked by: _____
<b>Department</b>	approved by: _____ <b>Division</b> approved by: _____



# Facilities Study Report

W.O.no.: IR#647 Appendix F

Project: Addition of 1.5 MW Tidal Generation at 90N-FORCE Substation

Date: 2022-09-22 Rev. No.: 1

System	Description
	<p><b>Location Info</b></p> <p>37N-Parrsboro, Prospect Rd., Parrsboro, NS            90N-1156 West Bay Road, Parrsboro, NS            X: -64.4056 Y: 45.3762</p> <p><b>Requirements</b></p> <p>An SIS has been completed for two tidal generating plants near the Parrsboro area. Both plants are connected to the NSPI system through substation 90N-FORCE. The substation was originally operated at 25 kV but was connected to 37N-Parrsboro at 69 kV before the interconnection of generating facilities.</p> <p>Both plants required a SCADA system for monitoring and curtailing, achieved through a single RTU at 90N. In addition, islanding transfer trip was required from 37N-Parrsboro, 74N-Springhill and 30N-Maccan, and a transfer-trip was required from 37N-Parrsboro to 90N-FORCE.</p> <p><b>Communications</b></p> <p>The communications facilities installed include a licensed 900MHz Aprisa radio system with attached SEL-2506 Remote I/O devices for teleprotection. The SEL-2506s will accept a 129Vdc control input and send a trip signal to the paired SEL-2506 providing a dry contact trip signal. This connection also allows alarms and SCADA to be brought back to RAL.</p> <p>This system required the installation a new 75ft composite pole at 90N-Force Tidal Substation. This pole supports a yagi antenna, facing 423N-Kirkhill Radio site. The pole required a small grounding system, and a conduit run into the substation building. NSPI installed a new rack with the new radio, teleprotection equipment 48Vdc batteries and charger in the substation building.</p>

Transmission Engineering	Prepared by: <u>J.P. Charlton, P.Eng.</u>	Customer Operations checked by: _____
<b>Department</b>	approved by: _____	<b>Division</b> approved by: _____



# Facilities Study Report

W.O.no.: IR#647 Appendix F

Project: Addition of 1.5 MW Tidal Generation at 90N-FORCE Substation

Date: 2022-09-22 Rev. No.: 1

System	Description
--------	-------------

At 37N-Parrsboro Substation an 80ft composite pole was required. This pole supports a yagi antenna, and also required a small grounding system and a conduit run to a weather-proof, heated cabinet containing NSPI's radio, transfer-trip equipment and battery back-up with charger. This cabinet also has AC power. This end also required design and provision of an interface between the substation relay and the teleprotection equipment.

At 423N-Kirkhill Radio site two yagi antennas were mounted; one at 52m pointing to 37N-Parssboro and one at 50m pointing to 429N-Force Tidal. The radios were housed in the existing radio building and were powered by the existing batteries and charger.

Teleprotection equipment was also required at 74N-Springhill and 30N-Maccan.

## Estimated Costs

Field Labour:	\$ 25,360.00
Eng Labour:	\$ 13,090.00
Materials:	\$ 146,600.00
Consultants:	\$ 5,000.00
Contracts:	\$ 56,000.00
Other:	\$ 1,000.00
Total (no interest or overheads):	\$ 247,050.00

This system included two new licensed 900MHz Radio links which have an Industry Canada licensing fee of \$80/year each (Note that Frequency License Applications were required by Industry Canada for both of these links). Industry Canada also required approval from the Land Use Authority (the municipality), and a public consultation process for the installation of each antenna supporting structure (at 37N-Parrsboro and at 90N-FORCE). For more information on these processes please see: CPC-2-0-03 —

Transmission Engineering	Prepared by: <u>J.P. Charlton, P.Eng.</u>	Customer Operations	checked by: _____
<b>Department</b>	approved by: _____	<b>Division</b>	approved by: _____



# Facilities Study Report

W.O.no.: IR#647 Appendix F

Project: Addition of 1.5 MW Tidal Generation at 90N-FORCE Substation

Date: 2022-09-22 Rev. No.: 1

System	Description
	<p>Radiocommunication and Broadcasting Antenna Systems  <a href="http://www.ic.gc.ca/eic/site/smt-gst.nsf/eng/sf08777.html">http://www.ic.gc.ca/eic/site/smt-gst.nsf/eng/sf08777.html</a> (section 4)</p> <p><b>Timelines ~6 months total</b></p> <ul style="list-style-type: none"> <li>a) Land Use Authority Approval and Public Consultation Process – 10 weeks</li> <li>b) Frequency License Application – 10 weeks</li> <li>c) Radios – Dependent on results of Step 2 – 8 weeks</li> <li>d) Composite Poles – 10 weeks</li> <li>e) Antennas and Feedline – 8 weeks</li> <li>f) Batteries and Charger – 12 weeks</li> <li>g) Structural analysis for Radio Site – 6 weeks</li> <li>h) Installation – 6 weeks</li> </ul>

Transmission Engineering	Prepared by: <u>J.P. Charlton, P.Eng.</u>	Customer Operations checked by: _____
<b>Department</b>	approved by: _____	<b>Division</b> approved by: _____



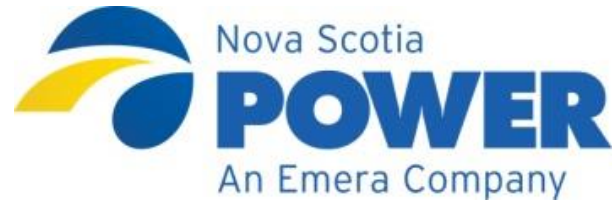
# Facilities Study Report

W.O.no.: IR#647 Appendix G

Project: Addition of 1.5 MW Tidal Generation at 90N-FORCE Substation

Date: 2022-09-22 Rev. No.: 1

System	Description
	<p style="text-align: center;"><b>APPENDIX G:</b></p> <p style="text-align: center;"><b>IR #647: Final Generator System Impact Study</b></p>
Transmission Engineering <b>Department</b>	Prepared by: <u>J.P. Charlton, P.Eng.</u> approved by: _____ Customer Operations checked by: _____ <b>Division</b> approved by: _____



# **System Impact Study Report Report GIP-IR647-SIS-R1**

**Generator Interconnection Request #647  
1.5 MW Tidal Generating Facility  
Cumberland County, NS**

Principal Investigator  
John Charlton, P. Eng.

September 22, 2022

Transmission Planning  
Nova Scotia Power Inc.

This page intentionally left blank

## Executive Summary

This report presents the results of a System Impact Study (SIS) for a proposed 1.5 MW tidal turbine generating facility interconnected to the NSPI transmission system at the 37N-Parsboro substation via existing interconnection facilities located at the 90N-FORCE substation. The study analysed the impact the proposed development would have on the NSPI power grid.

Due to the proposed capacity of this Interconnection Request (IR#647), an expedited study process was permitted in accordance with Section 2.5 of the Generator Interconnection Procedures that removed stability analysis from the report scope. In addition, Section 7.4 of the GIP permits the use of previous study results where practicable in the SIS analysis. As a result, the following analysis results from IR#542, a higher queued tidal project having the same Point of Interconnection, was applied to the IR#647 Steady state analysis, and Bulk Power System (BPS) determination.

The report scope also included the following analysis specific to IR#647: Short circuit analysis and its impact on circuit breaker ratings; Power factor requirement at the Point of Interconnection (POI); Voltage flicker; Incremental system Loss Factor; Impact on any existing Special Protection Systems (SPSs); and Islanding potential.

The study results show that IR#647 will not adversely impact the interrupting capability of any existing circuit breakers and is assumed to meet the NSPI requirements for voltage flicker at the POI based on the site short circuit level and on the typical characteristics of inverter/converters. The minimum Short circuit ratio was calculated to be 54 at the 90N-FORCE substation 13.8 kV bus and it is the responsibility of the IC that the generating facility controls are stable under such conditions. IR#647 provides adequate reactive power to meet the Generator Interconnection Procedure (GIP) requirements and has no impact on any existing Special Protection Systems. The system loss factor for this facility was found to be 3.33%.

Study results utilized from IR#542 show that increased generation associated with IR#647 will not have any significant adverse impact on the local transmission system. No thermal loading violations were found under normal states and single contingency conditions. In addition, the Point of Interconnection at substation 37N-Parsboro is not classified as part of the Bulk Power System, nor it classified as a Bulk Electric System element. There is a risk of this generating facility being islanded with NSPI customers for certain contingencies and as such, an anti-islanding scheme is required.

The proposed Generating facility must also meet the requirements of Sections 7.1 – 7.4, and 7.6 of the NSPI Transmission System Interconnection Requirements (TSIR) document, version 1.1 for asynchronous generation (which includes inverter-based energy conversion associated with tidal facilities).

There are no additional Network Upgrades (NU) or Transmission Providers Interconnection Facilities (TPIF) required to accommodate the connection of IR#647 to the FORCE substation 13.8kV bus. The NU and TPIF associated with the FORCE facility were previously built and are

---



currently in service, although commissioning work requiring generation at 90N-FORCE remains to be completed. The final cost for NSPI's work to provide the 69kV interconnection at 37N-Parrsboro was as follows:

- **TPIF Actual Costs: \$1,402,630 (HST excluded)**
- NU Actual Costs: \$ 268,182 (HST excluded)
- Total Actual Cost: \$1,670,812 (HST excluded)

The Interconnection Facilities and Network upgrades that were common to projects IR#516, IR#517, and IR#542 will also be shared by subsequent project IR#598 and IR#647. As NU costs are refundable under the GIP, IR#647 is not responsible to contribute towards those costs.

IR#647 is the fifth project to utilize the common TPIF and is therefore responsible for 1/5 of the TPIF costs. As such, the cost responsibility for IR#647 for the shared usage of the TPIF infrastructure totals  $\$280,526 + \$42,079 \text{ (HST)} = \mathbf{\$322,605}$ , unless the right to a Capital Contribution refund is waived by those Interconnection Customers who previously contributed to these TPIF.

IR#647 is one of four active projects utilizing the TPIF and is therefore responsible for 1/4 of the remaining commissioning costs for the 69 kV supply, which is estimated at \$8,696 plus HST (\$2,174 plus HST each), and also for 1/4 of future maintenance and replacement costs associated with the TPIF.

## Table of Contents

	Page
<b>Executive Summary .....</b>	<b>i</b>
<b>1.0 Introduction .....</b>	<b>1</b>
1.1 Scope.....	1
1.2 Expedited Process .....	1
1.3 Previous Studies .....	2
1.4 Combined T/D Advanced Stage IR Queue .....	4
1.5 System Network Upgrades .....	5
1.6 Assumptions .....	6
<b>2.0 Technical Model .....</b>	<b>6</b>
2.1 System Data .....	7
2.2 Generating Facility .....	8
2.3 Transmission System Interconnection Requirements .....	8
2.4 System Model and Methodology .....	10
2.4.1 Short Circuit.....	10
2.4.2 Power Factor .....	10
2.4.3 Loss Factor .....	10
2.4.4 Steady State .....	10
2.4.5 Bulk Power System.....	11
<b>3.0 Technical Analysis.....</b>	<b>11</b>
3.1 Short Circuit .....	11
3.2 Power Factor.....	12
3.3 Loss Factor .....	14
3.4 Voltage Flicker and Harmonics .....	14
3.5 Impact on Existing Special Protection Systems (SPS).....	14
3.6 Islanding Potential.....	14
3.7 Underfrequency Operation.....	15
3.8 Steady State .....	15
3.8.1 Steady State .....	15
3.8.2 Steady-State Contingencies .....	15
3.8.3 Steady-State Evaluation .....	16
3.9 Bulk Power / Electric System Analysis .....	16
3.10 Stability Assessment.....	17

4.0	Requirements and Cost Estimate .....	17
5.0	Conclusions and Recommendations .....	19
	Appendix A: IR#516 Executive Summary.....	21
	Appendix B: IR#517 Executive Summary.....	23
	Appendix C: IR#542 Executive Summary.....	25
	Appendix D: IR#542 Addendum Summary.....	27
	Appendix E: IR#598 Executive Summary.....	29
	Appendix F: IR#647 1-Line Diagram .....	32

## 1.0 Introduction

The Interconnection Customer (IC) submitted an Interconnection Request (IR) for Network Resource Interconnection Service (NRIS) to Nova Scotia Power Inc. (NSPI) for a proposed 1.5 MW tidal generating facility interconnected to the NSPI transmission system. The IC subsequently signed a System Impact Study (SIS) Agreement for a study of the 1.5 MW tidal generating facility taking Network Resource Interconnection Service (NRIS) and this report is the result of that Agreement.

This IR has been designated by the NSPI System Operator as Interconnection Request #647 and will be referred to as IR#647 throughout this report. Three other higher queued tidal generating facilities (IR#516, IR#542, and IR #598) share the same Point of Interconnection as IR#647 and the required Transmission Providers Interconnection Facilities and Network Upgrades identified in this report are utilized by all four projects.

## 1.1 Scope

The Point of Interconnection (POI) for IR#647 is the 69kV substation 37N-Parrsboro. IR#647 will be connected to the Nova Scotia Power System through the 69/13.8 kV substation owned by Fundy Ocean Research Center for Energy (FORCE) but controlled by NSPI under a Facilities Operation Agreement. The FORCE substation is connected to 37N-Parrsboro through the 10 km line L-5550, which is built to 138 kV design standards but currently operated at 69 kV as shown in Figure 1.

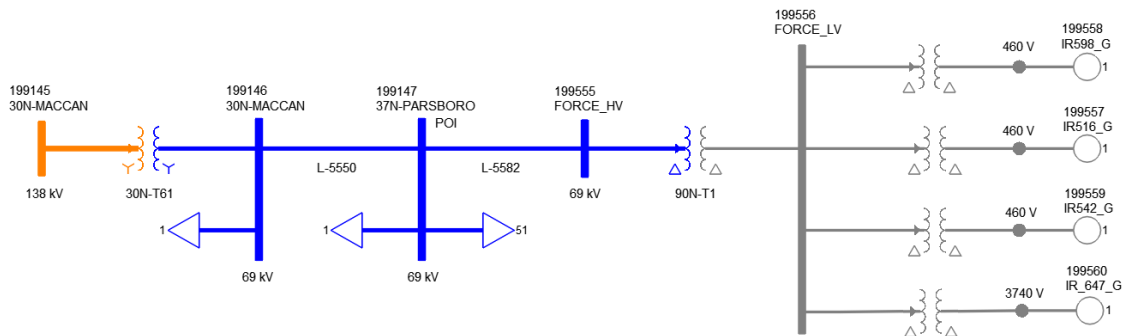


Figure 1: Interconnection One Line Diagram

## 1.2 Expedited Process

In their application, the interconnection Customer requested that:

*NSPI give consideration to, and approve, the implementation of the procedures associated with section 2.5 of the GIP document (Expedited Process for Small Generating Facilities). This request was approved and includes the following changes to the SIS scope of work:*

- *Forego of the Interconnection Feasibility Study*
- *Combine the Interconnection System Impact Study and the Interconnection Facilities Study*

- *Eliminate the requirement for coordination with Affected Systems*
- *Modification of the Interconnection System Impact Study scope to exclude stability analysis.*

Based on the capacity and location of IR#647, this request was granted by the NSPSO and is reflected in this report.

### 1.3 Previous Studies

Section 7.4 of the GIP requires that the Transmission Provider utilize the results of previous studies if practicable in the SIS analysis. It states:

#### ***7.4 Interconnection System Impact Study Procedures***

*The Transmission Provider shall coordinate the Interconnection System Impact Study with any Affected System that is affected by the Interconnection Request pursuant to Section 3.5 above. The Transmission Provider shall utilize existing studies to the extent practicable when it performs the study...*

The following previous studies are considered relevant to the IR#647 SIS.

#### **IR#516:**

IR#516 was submitted in December of 2014 as a 5 MW Network Resource Interconnection Service (NRIS) tidal generating facility interconnected to the NSPI transmission system via the 69 kV 37N-Parrsboro and 90N-FORCE substations. SIS Report GIP\_IR516\_SIS\_R0 was completed in July of 2015, and the summary is attached in Appendix A of this report. No system issues were identified in the SIS report.

The IR#516 Generator interconnection and operating Agreement (GIA) was amended on November 9, 2021 to reduce the facility capacity from 5 MW to 1.26 MW following the determination that the change was not a material change under the GIP.

#### **IR#517:**

IR#517 was submitted in December of 2014 as a 4 MW NRIS tidal generating facility interconnected to the NSPI transmission system via the 69 kV 37N-Parrsboro and 90N-FORCE substations. SIS Report GIP-IR517-SIS-R0 was completed in July of 2015, and the summary is attached in Appendix B of this report. The SIS for IR#517 included the proposed IR#516 NRIS generation (5 MW) in its analysis and no system issues were identified in the SIS report.

IR#517 was placed into default and eventually withdrawn from the Queue in November of 2019.

#### **IR#542:**

On September 9, 2016, IR#542 was submitted as a 5.58 MW NRIS tidal generating facility interconnected to the NSPI transmission system via the 69 kV 37N-Parrsboro and 90N-FORCE substations. SIS Report GIP-IR542-SIS-R0 was completed on May 10, 2017, and the summary is attached in Appendix C of this report.

The SIS for IR#542 included IR#516 NRIS generation (5 MW) and IR#517 (4 MW) NRIS generation in its analysis for a total of 14.48 MW NRIS generation at the FORCE substation. The relevant results of the report were as follows:

- Increases in short circuit levels were within the capability of the associated breakers in the vicinity of 37N-Parrsboro.
- IR#542 generation will not have any significant adverse impact on the local transmission.
- IR#542 caused no thermal loading violations under normal states and single contingency conditions.
- IR#542 caused no stability issues.
- There is a risk of this generating facility being islanded with NSPI customers for certain contingencies. As a result, an anti-islanding scheme is required.

On January 21, 2020, the Interconnection Customer for IR#542 requested that the following technical changes be made:

1. Generator: the size/output capacity of each generator was changed to 70 kW, with 6 generators per platform and a platform supply voltage of 6.6 kV.
2. Step-up Transformer: A step up transformer unit (6.6 kV to 13.8 kV) was added to the cable collector circuit and located on shore within the 90N-FORCE substation facility.
3. Generator Support Structure: Generator support structures were updated to a surface mounted floating platform structure anchored to the sea floor. Each floating platform is rated for  $6 \times 70 \text{ kW} = 420 \text{ kW}$ , with a total of 9 floating platforms being installed for a facility capacity of 3.78 MW.

A Materiality Study showed that changing the generator technology and output from 5.58 MW to 3.78 MW did not constitute a Material Change under the GIP, as shown in Appendix D. These changes were subsequently implemented and the capacity of IR#542 was reduced to 3.78 MW.

### **IR#598:**

On May 3, 2021, IR#598 was submitted as a 2.52 MW NRIS tidal generating facility interconnected to the NSPI transmission system via the 69 kV 37N-Parrsboro and 90N-FORCE substations. SIS Report GIP-IR598-SIS-R1 was completed on February 4, 2022, and the summary is attached in Appendix E of this report.

IR #598 relied on the SIS results from IR #542 in accordance with the terms of Section 7.4 of the GIP.

NRIS generation totalling 14.48 MW at 90N-FORCE has previously been studied at the SIS level with no adverse system impacts determined. Since the original IR#542 SIS was completed, the proposed generation at 90N-FORCE has been reduced from 14.58 MW to 7.56 MW following the reduction of IR#516 from 5 MW to 1.26 MW; the withdrawal of IR#517 (4 MW); the reduction of IR#542 from 5.58 MW to 3.78 MW; and the submission of IR #598 (2.52 MW).

The addition of a further 1.5 MW for IR#647 will bring the total generation at 90N-FORCE up to 9.06 MW, approximately 62% of what has previously been studied with no significant system impacts. In addition, Section 1.4 of this report shows that there have been no material additions to the system in Northern NS since the time of the original study for IR #516.

### 1.4 Combined T/D Advanced Stage IR Queue

The Combined T/D Advanced Stage Interconnection Request Queue (Queue) is posted on the NSPI OASIS site at <https://www.nspower.ca/oasis/generation-interconnection-procedures>. A copy of the July 22, 2022 version is shown in Figure 2.


<b>Combined T/D Advanced Stage Interconnection Request Queue</b> 												
Publish Date: Friday, July 22, 2022												
Queue Order	IR #	Request Date DD-MMM-YY	County	MW Summer	MW Winter	Interconnection Point Requested	Type	Inservice date DD-MMM-YY	Revised Inservice date	Status	Service Type	IC Identity
1	-T 426	27-Jul-12	Richmond	45	45	47C	Biomass	01-Jan-17	9/1/2018	GIA Executed	NRIS	NSPI
2	-T 516	05-Dec-14	Cumberland	5	5	37N	Tidal	01-Jul-16	5/31/2020	GIA Executed	NRIS	N/A
3	-T 540	28-Jul-16	Hants	14.1	14.1	17V	Wind	01-Jan-18	10/31/2023	GIA Executed	NRIS	N/A
4	-T 542	26-Sep-16	Cumberland	3.78	3.78	37N	Tidal	01-Jan-19	6/30/2025	GIA Executed	NRIS	N/A
5	-D 557	19-Apr-17	Halifax	5.6	5.6	24H	CHP	01-Sep-18		SIS Complete	N/A	N/A
6	-D 569	26-Jul-19	Digby	0.6	0.6	509V-302	Tidal	01-Mar-21	7/30/2021	GIA Executed	N/A	N/A
7	-D 566	16-Jan-19	Digby	0.7	0.7	509V-301	Tidal	31-Jul-19	4/30/2022	GIA Executed	N/A	N/A
8	-T 574	27-Aug-20	Hants	58.8	58.8	L-6051	Wind	30-Jun-23		GIA Executed	NRIS	N/A
9	-T 598	13-May-21	Cumberland	2.52	2.52	37N	Tidal	01-Dec-22		GIA Executed	NRIS	N/A
10	-D 604	07-Jun-21	Cape Breton	0.45	0.45	11S-303	Solar	15-Jan-22		GIA Executed	N/A	N/A
11	-D 603	31-May-21	Cumberland	0.4	0.4	22N-404	Solar/Battery	16-Feb-22		GIA Executed	N/A	N/A
12	-D 600	27-May-21	Halifax	0.6	0.6	99H-312	Solar/Battery	02-Mar-22		GIA Executed	N/A	N/A
13	-T 597	07-May-21	Lunenburg	33.6	33.6	50W	Wind	31-Aug-23		SIS in Progress	NRIS	N/A
14	-T 629	20-Sep-21	Cumberland	0.5	0.5	7N	Solar	28-Sep-21		SIS in Progress	ERIS	N/A
15	-T 647	06-Oct-21	Cumberland	1.5	1.5	37N	Tidal	31-Dec-23		SIS in Progress	NRIS	N/A
16	-D 653	19-Jan-22	Halifax	0.09	0.09	24H-406	Solar	30-Oct-22		SIS in Progress	N/A	N/A
17	-D 654	16-Feb-22	Halifax	0.125	0.125	127H-413	Solar	20-Sep-22		SIS in Progress	N/A	N/A
18	-T 656	28-Mar-22	Cumberland	4	4	37N	Tidal	31-Dec-22		SIS in Progress	NRIS	N/A
<b>Totals:</b>				177.365	177.37							

Figure 2: Combined T/D Advanced Stage Interconnection Request Queue

The Queue shows that IR#598, the last SIS completed at 90N-FORCE, occupies position 9. The Queue position for IR#647 is 15.

The two largest projects in the Queue are identified in positions 3 (IR#540) and 8 (IR#574). Both of these projects are in Hants County and are electrically remote from transmission in the Amherst / Parrsboro area. While the IR#540 and IR#574 generation additions will impact generation dispatch, they have no material impact on the IR's associated with the 90N-FORCE substation.

The remaining projects in Queue positions 5-8, and 10-14 are all small projects that also have no material impact on the Parrsboro projects.

### 1.5 System Network Upgrades

For all IR's currently in the Queue, SIS analysis models have included the transmission system upgrades needed for the Maritime Link and its associated Transmission Service Request TSR-400 for export to NB. These include upgrades to 101S-Woodbine substation; the replacement of line L-6513 with line L-6613; the separation of lines L-8004 and L-7005 on a double circuit tower at the Canso crossing; the 345 kV breaker node swap at 67N-Onslow; and the upgrading of line thermal ratings for L-6511 and L-7019. No other material system changes have been made since these studies have been completed.

As no material changes have been made to the NS transmission system models in the period between IR#516 and IR#647, and as none of the projects between IR#516 and IR#647 materially impact the Amherst/Parrsboro area, study results associated with IR#516, IR#517, IR#542, and IR#598 can be applied to IR#647. Therefore, this report utilizes the following SIS analysis from the IR#542 SIS:

- Steady state analysis to determine any thermal overload of transmission elements or voltage criteria violation
- Bulk Power System (BPS) determination for the substation

The report scope also includes the following items that are specific to IR#647:

- Short circuit analysis and its impact on circuit breaker ratings
- Power factor requirement
- Voltage flicker
- Incremental system Loss Factor
- Impact on any existing Special Protection Systems (SPSs)
- Islanding potential

This report provides the costs associated with the connection of the generation facility to the NSPI transmission system.



## 1.6 Assumptions

On October 6, 2021, the Interconnection Customer submitted IR#647 to the System Operator inclusive of the following technical data:

1. Generator capacity: 1.5 MW (1786 kVA @ 0.84pf )
2. Generator voltage: 3.74 kV
3. Generator Power Converter PQ Capability: +600 kVAR to -750 kVAR at 1.5 MW generation
4. FORCE substation transformer: 21/28/35 MVA 69 kV – 13.8 kV, Grounded Wye - Grounded Wye with 4.16 kV Delta tertiary; +/- 10% taps in 2.5% steps; Z1=7.25%, X1/R1=18.
5. Generator Transformer: 1640 kVA, 13.8 kV – 3.74 kV, Grounded Wye (HV) – Delta (LV), +/- 5% taps in 2.5% steps; Z1=5%, X1/R1=7.1, connected to the 90N-FORCE 13.8 kV circuit supplied via a breaker in the FORCE switch room.
6. The Point of Interconnection (POI) is at the 37N-Parrsboro 69 kV bus.
7. NSPI’s transmission line ratings as posted on NSPI’s Intranet, including any projected line upgrades for the periods under study.
8. It is assumed that IR#647 generation meets IEEE Standard 519 limiting total harmonic distortion (all frequencies) to a maximum of 5% with no individual harmonic exceeding 1%.

## 2.0 Technical Model

The proposed generating facility consists of one 13.8 kV–3.74 kV, 1640 kVA step down transformer, a power conditioning station, and one 1.785 MVA 3-phase tidal turbine generator capable of generating 1.5 MW at 0.84 power factor. The generator is connected at 13.8 kV and connects to the FORCE substation via 13.8 kV sub-sea cable prior to being stepped up to 69 kV.

The PSS®E model for the study analysis is shown in Figure 3 below. The generator step-up transformer (3.74 kV/13.8 kV) was modeled with an impedance of 5% on 1.64 MVA. The interconnection transformer was modeled to have 7.25% impedance on the 21 MVA rating with an X/R ratio of 18.

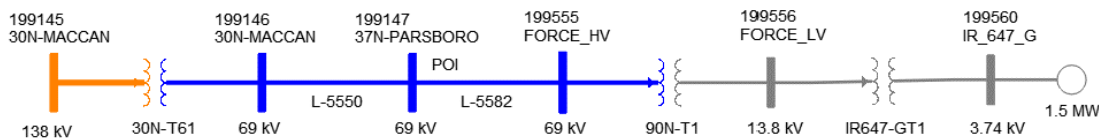


Figure 3: Interconnection One Line Diagram

## 2.1 System Data

The 2016 NSPI 10 Year Energy and Demand Forecast report dated 2016-05-02 was the source of data used to develop the base case modelling for Load Flow cases associated with IR#542. The winter peak demand studied in that report, including, and excluding Demand Side Management (DSM) effects, is shown in Table 1.

Forecast Year	Base Case	Net System Peak Demand (MW), with Future DSM Effects	Net System Peak Demand (MW), before Future DSM Effects
2016	Winter Peak 2019	2170	2214

Figure 2 of the 2022 Ten Year System Outlook Report, shown in Figure 4 below, shows that the forecasted system *Coincident Peak Demand with Future DSM Program Effects* in 2022 was 2165 MW, 5 MW (0.23%) lower than the 2170 MW value forecasted in 2016 for Winter Peak 2019.

Figure 2: Coincident Peak Demand with Future DSM Program Effects

Year	Interruptible Contribution to Peak (MW)	Demand Response (reduction in Firm Peak only, MW)	Firm Contribution to Peak (MW)	System Peak (MW)	Growth (%)
2012	141	-	1,740	1,882	-13.2
2013	136	-	1,897	2,033	8.0
2014	83	-	2,036	2,118	4.2
2015	141	-	1,874	2,015	-4.9
2016	98	-	2,013	2,111	4.8
2017	67	-	1,951	2,018	-4.4
2018	80	-	1,993	2,073	2.7
2019	111	-	1,949	2,060	-0.6
2020	96	-	1,954	2,050	-0.5
2021	94	-	1,875	1,968	-4.0
2022*	144	-	2,021	2,165	10.0
2023*	146	-4	2,035	2,185	0.9
2024*	146	-12	2,057	2,215	1.4
2025*	152	-24	2,076	2,253	1.7
2026*	154	-36	2,101	2,291	1.7
2027*	153	-39	2,133	2,326	1.5
2028*	153	-39	2,170	2,361	1.5
2029*	153	-39	2,207	2,398	1.6
2030*	152	-38	2,243	2,434	1.5
2031*	152	-38	2,289	2,479	1.9
2032*	152	-37	2,342	2,532	2.1

\*Forecast value

Figure 4: 2022 10 Year System Outlook Report Figure 2

This decrease in load is not sufficient to materially impact the results of the IR#542 analysis, and as such, those results can be applied to IR#647.

## **2.2 Generating Facility**

The proposed generating facility consists of one induction generator capable of generating maximum power of 1.5 MW paired with a power conditioner system.

Generation system voltage is 3.74 kV (delta), stepped up to 13.8kV (Grounded Wye) via one 1.64 MVA transformer located at the 90N-FORCE substation. The FORCE transformer 90N-T51 is rated 69 kV – 13.8 kV, 21/28/35 MVA with positive sequence impedance of 7.25%. A single Line Diagram showing IR#516, IR#542, IR#598 and IR#647 is attached in Appendix F to this report.

The proposed generator systems are classified as Type 4, with fully rated AC-DC-AC inverter. It is assumed to be equipped with a SCADA-based central regulator which controls the generator reactive power output to maintain constant voltage or constant power factor at the Interconnection Facility substation.

## **2.3 Transmission System Interconnection Requirements**

The proposed Generating facility must meet the requirements of Sections 7.1 – 7.4, and 7.6 of the NSPI Transmission System Interconnection Requirements (TSIR) document, version 1.1 for asynchronous generation (which includes inverter-based energy conversion associated with tidal facilities). The TSIR is posted to the NSPI OASIS web-site at <https://www.nspower.ca/oasis/standards-codes>, and includes requirements for the following:

- Steady State and Frequency Ranges
- Grounding requirements
- Voltage Ride-through
- Frequency Variations
- Islanded operation
- Reactive power Requirements
- Power Quality
- Automatic Voltage regulation
- Synchronizing Facilities (not required)
- Black Start Capability (not required)
- Remedial Action Schemes (also known as Special Protection Schemes)
- Modelling Data
- Curtailment
- Short Circuit Ratio
- Active Power Control

Of particular note, the generating facility must meet the voltage ride-through requirements of Figure 5 and as per NERC Standard PRC-024-2 Attachment 2, and shall be capable of operating reliably for frequency variations per NERC Standard PRC-024 Attachment 1 (Over-Frequency curve) and NERC Standard PRC-006-NPCC-2 (Eastern Interconnection underfrequency generator tripping curve) as shown in Figure 6.

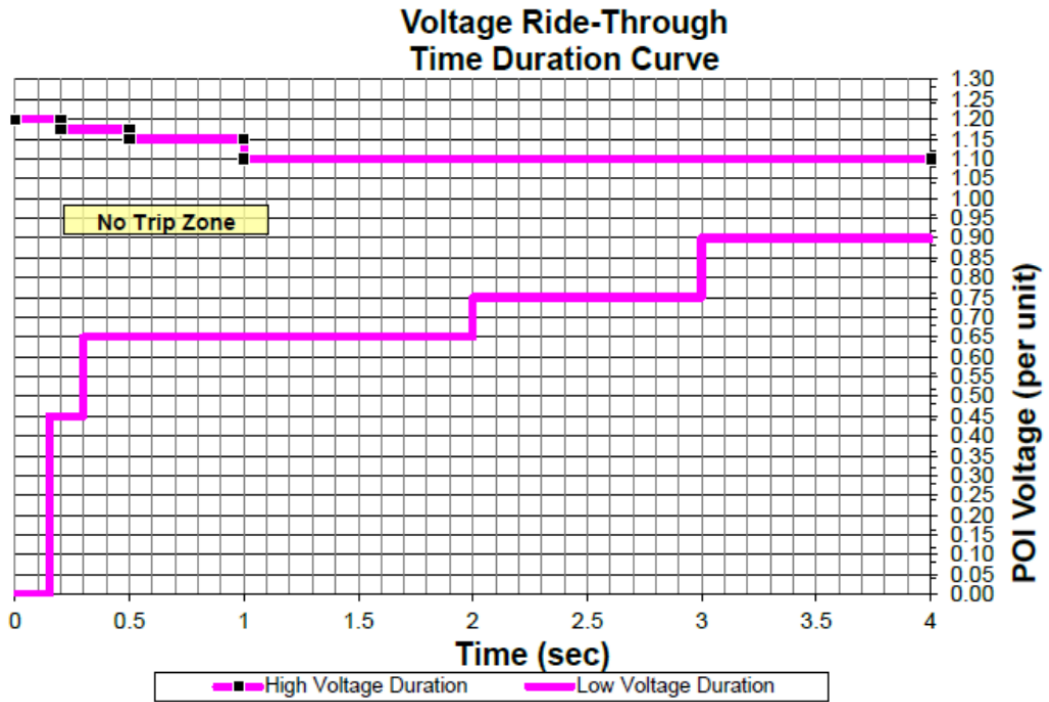


Figure 5: Voltage Ride-through requirements

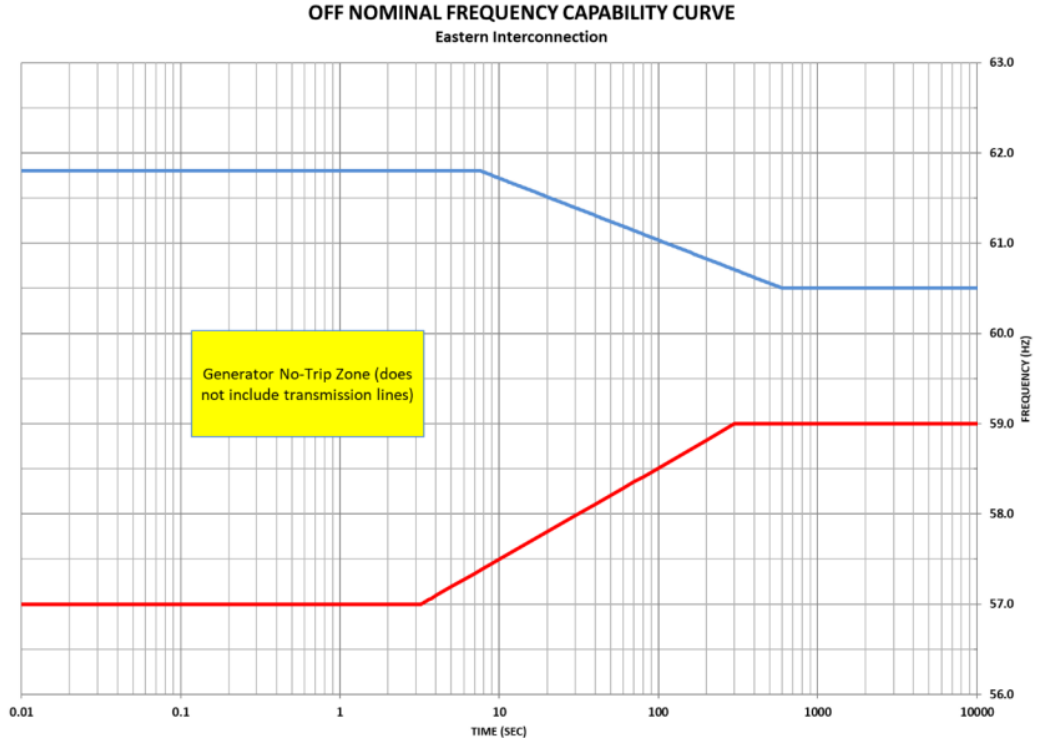


Figure 6: Off-Nominal Frequency Operation Requirements

## 2.4 System Model and Methodology

Testing and analysis for IR#647 was conducted using the following criteria, software packages and/or modelling data.

### 2.4.1 Short Circuit

ASPEN OneLiner Version 14.5, classical fault study, 3LG and flat voltage profile at 1 per unit voltage was used to assess before and after short circuit conditions. The expected 2022 system configurations were studied. Each combination was run with IR#647 in service and out of service and a comparison made between the two.

### 2.4.2 Power Factor

The GIP requires a net power factor of  $\pm 0.95$  measured at the HV terminals of the generator plant interconnection transformer. PSS®E R34 was used to simulate high and low system voltage conditions to determine the machine capability in delivery/absorption of reactive power (vars).

### 2.4.3 Loss Factor

Loss factor is calculated by running the load flow using a winter peak base case with and without IR#647 while keeping 91H-Tufts Cove generation as the Nova Scotia Area Interchange bus. The loss factor for IR#647 is the differential MW displaced or increased at 91H-Tufts Cove generation calculated as a percentage of IR#647 nameplate MW rating.

This methodology reflects the load centre in and around 91H-Tufts Cove and has been accepted and used in the calculation of system losses for Open Access Transmission Tariff (OATT). It should be noted, however, that the purpose of loss factor is limited to the evaluation of alternative Interconnection Requests (size and location) under specific test conditions. The impact of any particular IR varies with its output and hourly system conditions and its impact on overall system losses is not quantifiable in advance.

In addition to the previous items, this report utilizes the following SIS analysis from the IR#542 SIS in accordance with Section 7.4 of the Generator Interconnection Requirements.

### 2.4.4 Steady State

Steady State analysis results for IR#542 were used for IR#647. The IR#542 analysis was completed using Python scripts within PSS®E software version 33.7. The scripts simulated a wide range of single contingencies, with the output reports summarizing bus voltages or branch flows that exceed established limits. System modifications and additions were modeled and contingencies that would best provide a measure of system reliability were tested in accordance with NSPI and NPCC design criteria. Load Flow analysis was run for the contingencies on each of the bases cases listed in Section 3.8, with IR#542 in and out of service to determine the impact of the proposed facility on the reliability of the NSPI grid.

### 2.4.5 Bulk Power System

BPS substations are subjected to stringent requirements for redundant and physically separated protective relay and tele-protection systems. Determination of BPS status for IR542 was in accordance with NPCC criteria document A-10 Classification of Bulk Power System Elements, December 01, 2009 revision. The A-10 test requires steady state and stability testing for each base case.

For the bus to be designated BPS, testing must demonstrate significant adverse impact outside the local area. For the steady state test, no BPS equipment is permitted to be thermally loaded beyond its emergency rating or cause violation of system voltage criteria outside the local area. For the stability test, the interconnected power system outside the local area must remain stable and well damped.

## 3.0 Technical Analysis

### 3.1 Short Circuit

The NSPI design criteria for maximum system fault capacity (three phase, symmetrical) is 5,000 MVA on 138kV and 3,500 MVA on 69kV. Short circuit analysis was performed using Aspen OneLiner V14.5, classical fault study, 3LG and flat voltage profile at 1 per unit voltage. The short-circuit levels in the area before and after this development are provided in Table 2.

<b>Table 2: Short-Circuit Levels, Three-Phase MVA</b>		
<b>Location</b>	<b>IR647 not in service</b>	<b>IR647 in service</b>
<b>Maximum Generation, all transmission facilities in service</b>		
30N-Maccan, 69 kV	388	390
37N-Parrsboro, 69 kV (POI)	179	181
FORCE Substation 69 kV	153	155
FORCE Substation 13.8 kV	106	108
<b>Minimum Generation: NB; NS - ML, TR6, LG1, PA</b>		
30N-Maccan, 69 kV	362	364
37N-Parrsboro, 69 kV (POI)	167	168
FORCE Substation 69 kV	142	144
FORCE Substation 13.8 kV	96	98
<b>Minimum Conditions, Min Generation, 30N-T61 out of service</b>		
30N-Maccan, 69 kV	206	208
37N-Parrsboro, 69 kV (POI)	124	126
FORCE Substation 69 kV	110	112
FORCE Substation 13.8 kV	81	83

All 69kV circuit breakers at 30N-Maccan are rated at 3500 MVA. Therefore IR#647 will not impact the circuit breakers at this substation.

The minimum fault level is expected when 30N-T61 is out of service and 74N-T61 is supplying the Springhill / Maccan 69 kV system and generation in Nova Scotia and New Brunswick is low, which can occur in light load conditions. Under these conditions, the SCR (Short Circuit Ratio, a measure of system strength relative to the size of the IR#647 generation) is calculated to be 54 at the FORCE 13.8 kV bus.

### 3.2 Power Factor

The facility must be capable of delivering reactive power at a net power factor of at least +/- 0.95 of rated capacity to the high side of the plant interconnection transformer.

The 69/13.8 kV Interconnection Facility transformer has an impedance of 7.25% on 21 MVA rating. Impedance of the 13.8 kV cable is not modeled. The generator transformer (3.74kV/13.8 kV) was modeled to have an impedance of 5% on 1.64 MVA. According to the machine PQ curves provided by the IC, the IR#647 1.5 MW generator and power conditioner is capable of operating between +0.93 to -0.89 power factor at rated MW output, and therefore can accommodate +600 kVAR to -750 kVAR at rated active power per Figure 7 below.

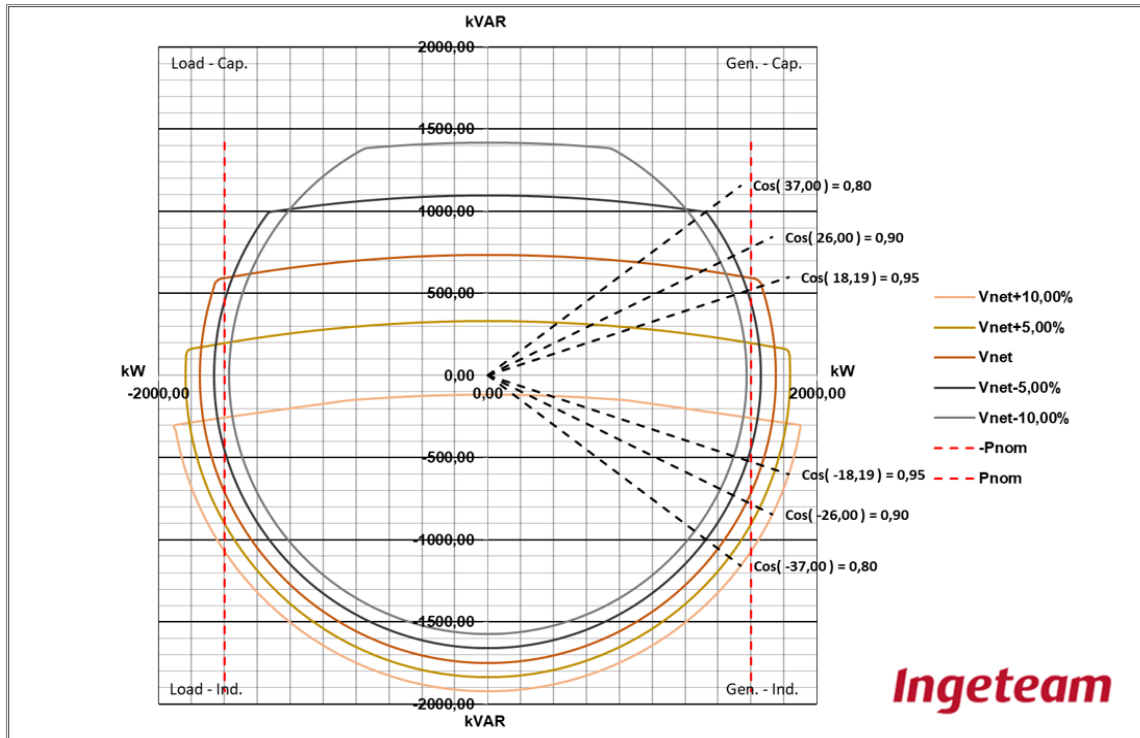


Figure 7: IR 647 PQ Curve

When IR#647 is generating at its rated output of 1.5 MW and delivering 0.6 MVAR, the power factor at the POI is +0.945 which meets the GIP requirement as seen in figure 8. Note that a generator operating with a lagging power factor is producing vars, while one operating with a leading power factor is consuming vars.

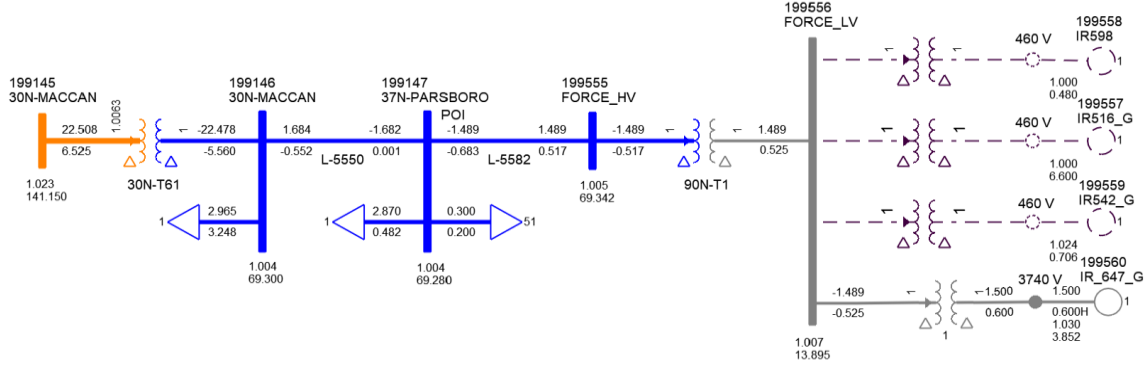


Figure 8: Lagging Power Factor

When IR#647 is generating at its rated output of 1.5 MW and absorbing 0.750 MVAR, the power factor at the POI is -0.868 which meets the GIP requirement as seen in figure 9.

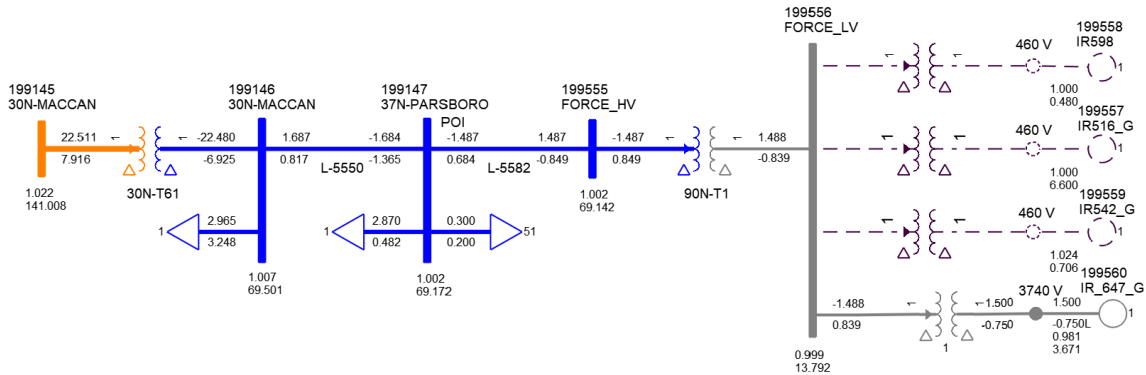


Figure 9: Leading Power Factor

When IR#647 is generating at less than its rated output of 1.5 MW, the ability of the unit to absorb additional vars increases from 750 kVAR at 1.5 MW to 1786 kVAR at 0 MW. The ability of the unit to produce additional vars also increases marginally from 600 kVAR at 1.5 MW to 720 kVAR at 0 MW.



### 3.3 Loss Factor

The loss factor for IR#647, calculated as per the methodology described in Section 2.4.3, is 3.33%. This means that system losses during the hour of system peak are increased by 0.05 MW when IR#647 is operating at full load. For this loss factor analysis, losses associated with IR#647 transformers and collector circuits are ignored.

Table #3: Loss Factor	
NSX (MW) Reference	-0.168
IR#647 Rating	1.500
Tufts Cove 3 with IR#647 On	128.000
Tufts Cove 3 with IR#647 Off	129.450
IR#647 MW + TC3 MW	129.500
Delta	0.05
Loss Factor (Delta / IR#647 Rating)	3.33%

### 3.4 Voltage Flicker and Harmonics

Generator data was not provided to enable the calculation of voltage flicker. However, voltage flicker is not expected to be a concern for the IR#647 inverter based generators. Flicker caused by the generators at the POI must not exceed a Short-term flicker severity ( $P_{st}$ ) of 0.35 or a long-term flicker severity ( $P_{lt}$ ) of 0.25.

The generator is expected to meet IEEE Standard 519 limiting Total Harmonic Distortion (THD) (all frequencies) to a maximum of 5%, with no individual harmonic exceeding 1%.

### 3.5 Impact on Existing Special Protection Systems (SPS)

The IC facilities connected to the NSPI transmission system via the FORCE substation are not included in any existing Special Protection Systems.

### 3.6 Islanding Potential

IR#647 will be interconnected to the 37N-Parrsboro 69 kV bus, which is connected to the 30N-Maccan 138/69 substation. 30N-Maccan can be electrically connected to 74N-Springhill 69 kV through normally open line L-5029 when 30N-T61 or 74N-T61 is out of service.

Whenever line L-5550 or transformer 30N-T61 trips, IR#647 would be electrically islanded with NSPI customers in the Maccan/Parrsboro area. In order to avoid this situation, a transfer trip signal is required from 30N-Maccan to isolate IR#647 for the above described events. Similarly, when the Maccan 69 kV system is supplied from 74N-Springhill, a transfer trip signal is required from 74N to isolate IR#647 for transformer 74N-T61 or line L-5029 trips. The transfer trip signal will trip the 13.8 kV breakers at the FORCE substation and will transmit the status of the breakers back to 37N-Parrsboro and

30N-Maccan or 74N-Springhill. Breaker status is required for the auto-reclosing of lines L-5029, L-5550 and L-5582 to restore FORCE substation following a transient fault.

### 3.7 Underfrequency Operation

Nova Scotia is connected to the rest of the North American power grid by a 345 kV line (L-8001) and two 138 kV lines (L-6535 and L-6536) to New Brunswick. Under certain import conditions, if L-8001 trips or NB trips L-3025 or L-3006, an ‘Import Power Monitor’ SPS will cross-trip L-6613 at 67N-Onslow to avoid thermally overloading and prevent uncontrolled separation. The Nova Scotia system is then islanded and relies on under frequency load shedding (UFLS) schemes to shed load across Nova Scotia to make up the generation deficiency and restore balance. Once this SPS operates, the load and generation in northern Nova Scotia are disconnected from the Nova Scotia system.

IR#647 is required to remain online and not trip under this scenario. Other contingencies in New Brunswick and New England can also result in an under-frequency islanded situation in Nova Scotia. IR#647’s generators connected to the NSPI system must meet the requirements of NPCC for setting any under-frequency protective device as shown in Section 2.3, Figure 6.

### 3.8 Steady State

The following steady state analysis results were taken from report GIP\_IR542\_SIS\_R0. Section 1.2 of this IR#647 report demonstrates the basis for accepting these results for IR#647.

#### 3.8.1 Steady State

The base cases used for the load flow analysis are listed in Table 4.

**Table #4: Steady-State Base Cases**

Case Name	Description	NS Load	IR#542	NS-NB	CBX	ONI
WIN-IR542-OFF	Winter Peak 2019	2170	OFF	15	880	1005
WIN-IR542-ON	Winter Peak 2019	2170	5.6	15	875	1000
LL-IR542-OFF	Light Load 2019	705	OFF	235	415	520
LL-IR542-ON	Light Load 2019	705	5.6	235	410	515
SUM-IR542-OFF	Summer Peak 2019	1450	OFF	-205	405	455
SUM-IR542-ON	Summer Peak 2019	1450	5.6	-205	400	450

Note 1: all values are MW.

Note 2: CBX (Cape Breton Export), ONS (Onslow South) and ONI (Onslow Import) are defined Interconnection Reliability Interfaces

#### 3.8.2 Steady-State Contingencies

The steady state load flow analysis includes the contingencies listed in Table 5.

**Table #5: List of Contingencies for Steady-State**

No.	CONTINGENCY	CAUSE OF EVENT	TRIPS	LOCATION
S01	1N-600	Breaker fail	6001,6503,6513,6527,1N-T1, 1N-T4,1N-T65,1N-C61	1N-Onslow 138 kV
S02	1N-613	Breaker fail	6503,6513, 1N-T1, 1N-T65	1N-Onslow 138 kV
S03	L6513/L6613	Line Fault	6513/6613	Onslow-Springhill
S05	L8001	Line Fault	8001	Onslow-Memramcook
S06	L6514	Line Fault	6514	Springhill-Maccan
S07	L6536	Line Fault	6536	Springhill- Memramcook
S08	L6551	Line Fault	6551	Maccan-Amherst
S09	L6535	Line Fault	6535	Amherst- Memramcook

**3.8.3 Steady-State Evaluation**

*The addition of IR#542 generation at 37N-Parrsboro will not have any significant adverse impact on the local transmission. All the 69 kV transmission lines in the vicinity are capable of handling the increased generation due to IR#542.*

*NSPI is connected to New Brunswick Power using three tie lines: L-8001 operated at 345 kV and L-6535 & L-6536 are operated at 138 kV. Line L-6513 operated at 138 kV connects L-6535 and L-6536 to 1N-Onslow. Hence, L-6513 is a crucial line during high transfers between the two utilities. It was found that that during light system load conditions (system load less than 1000 MW) with summer line ratings in effect, where NSPI is importing close to 100 MW from NBP with the Import Power Monitor SPS not armed, the loss of L-8001 results in a thermal overload of L-6513 (close to 110% of the summer line rating). However, this issue will not exist with the scheduled replacement of line L-6513 with higher rated line L-6613 prior to the in-service date of IR#542 in 2019. It is to be noted that if the L-6513 upgrade/replacement project is canceled or delayed, it will adversely impact IR#542.*

*With the exception of communications and protection modifications, IR#542 does not require Network Upgrades beyond the POI to operate at full output during the steady state conditions under NRIS.*

Note that Line L-6613 was built as planned and is currently in service. Line L-6513 has since been removed from service.

**3.9 Bulk Power / Electric System Analysis**

The following Bulk Power System (BPS) and Bulk Electric System (BES) analysis results were taken from report GIP\_IR542\_SIS\_R0. Section 1.2 of this IR#647 report demonstrates the basis for accepting these results for IR#647.

*Bulk Power System substations are subject to stringent requirements for redundant and physically separated protective relay system and tele-protection systems by NPCC of which NSPI is a member. Bulk Power System testing was performed in accordance with the A-10 methodology described in Section 2.3.*

*The steady state test was conducted with the new facility disconnected in the base cases. Post contingency results indicate no voltage violations or thermal overloads outside the local area. The NPCC A-10 Criteria document does not require rigorous testing at all buses. Section 1, bullet 2 of that document states:*

*“Application of this methodology may be omitted at buses that can be logically excluded from the bulk power system based on study results at other buses tested using this methodology.”*

*In the case of IR#542, the closest BPS element is the 1N-Onslow 138kV bus. IR#542 is electrically remote from the closest BPS substation. Hence, it was concluded that an A-10 dynamics test was not necessary to declare 37N-Parrboro as a non-BPS substation.*

*Because IR#542 is interconnected with the NSPI 69kV transmission system, it is not part of the Bulk Electric System as defined by NERC. Because the short circuit level will remain below 1500 MVA, the IC facilities are considered to be “Electrically Remote” in accordance with the NSPI System Design Criteria.*

It should be noted that the NPCC A-10 Classification of Bulk Power System Elements Methodology standard was revised in March of 2020 and the methodology for determining BPS status was updated. However, as no changes to the FORCE interconnection facilities are required for IR#647, and as these facilities have been in service supplied via the 69kV system since 2016, the BPS assessment from IR#542 remains valid and is used also for IR#647.

The NPCC implementation plan for the revised A-10 standard requires that system testing in accordance with the revised A-10 methodology be performed on all NSPI facilities within 5 years from the date the revised A-10 is approved. NSPI has scheduled this testing for 2022, but no change in the BPS status for the FORCE substation or associated berth holders is anticipated.

### **3.10 Stability Assessment**

As noted in Section 1.2 of this report, the scope of the SIS was modified in accordance with Section 2.5 of the GIP: *Expedited Process for Small Generating Facilities*, to exclude Stability Analysis.

## **4.0 Requirements and Cost Estimate**

IR#647 will share use of the following facility additions that were required to interconnect the IR#516, IR#517, IR#542 & IR#598 facilities to the NSPI system via 37N-Parrsboro:

- A 138 kV breaker (operated at 69kV) and associated switches at the POI (37N-Parrsboro)
- Protection & Control for the new 69 kV line, Remote terminal Unit (RTU) and a control building at 37N-Parrsboro.
- Protection & Control upgrades at 30N-Maccan and 74N-Springhill to incorporate anti-islanding scheme

- Modification or upgrades to protection relays on L-5550 at 30N-Maccan and on L-5029 and 74N-Springhill to include directional relaying.
- Addition of a licensed 900MHz radio system, with attached SEL-2506 Remote I/O devices for tele-protection.

These additions were installed in 2016 and are currently in service. IR#647 is responsible to make a capital contribution towards 1/5 of the Transmission Providers Interconnection Facilities (TPIF) costs plus 1/4 of the remaining commissioning costs.

In addition, IR#647 must be equipped with the following:

- A centralized controller capable of maintaining constant voltage or constant power factor at the Transmission Provider's Interconnection Facilities substation 69 kV bus (90N – FORCE Tidal substation). The set-point for this controller will be delivered via the NSPI SCADA system.
- When not at full output, the facility shall offer over-frequency and under-frequency control with a deadband of  $\pm 0.2$  Hz and a droop characteristic of 4%. The active power controls shall also have the capability to react to continuous control signals from the NSPI SCADA system's Automatic Generation Control (AGC) system to control tie-line fluctuations as required.
- The ability to interface with the NSPI SCADA and communication systems to provide the control communication, metering, and other items to be specified in the Facility Study.
- Sufficient reactive power support to maintain a net power factor at the 69kV IC bus.
- Low Voltage Ride Through capability to meet the requirements of Section 7.4.1 of the TSIR.
- Frequency ride-through capability to meet the requirements of Section 7.4.2 of the TSIR
- Voltage flicker and harmonics characteristics as described in this SIS.
- Facilities for NSPI to execute high speed rejection of generation and load (transfer trip). The plant may be incorporated in SPS runback or load reject schemes.

There are no additional Network Upgrades (NU) or Transmission Providers Interconnection Facilities (TPIF) required to accommodate the connection of IR#647 to the FORCE substation 13.8kV bus. The NU and TPIF associated with the FORCE facility were previously built and are currently in service, although commissioning work requiring generation at 90N-FORCE remains to be completed. The final cost for NSPI's work to provide the 69 kV interconnection at 37N-Parrsboro was as follows:

- TPIF Actual Costs: \$1,402,630 (HST excluded)
- NU Actual Costs: \$ 268,182 (HST excluded)
- Total Actual Cost: \$1,670,812 (HST excluded)

It should be noted that Interconnection Facilities and Network upgrades associated with IR#516, IR#517, and IR#542 will be shared by IR #598 and IR#647. IR#647 is therefore responsible for 1/5 of the TPIF costs, which total  $\$280,526 + \$42,079$  (HST) = **\$322,605**,

unless the right to a Capital Contribution refund is waived by those Interconnection Customers who previously contributed to these TPIF.

IR#647 is one of four active projects utilizing the TPIF and is therefore responsible for 1/4 of the remaining commissioning costs for the 69 kV supply, which is estimated at \$8,696 plus HST (\$2,174 plus HST each), and also for 1/4 of future maintenance and replacement costs associated with the TPIF.

## 5.0 Conclusions and Recommendations

Technical analysis, including short circuit, power factor, voltage flicker, and steady state analysis was performed. NSPI and NPCC planning criteria were applied.

The study results show that:

- IR#647 will not adversely impact the interrupting capability of any existing circuit breakers and is assumed to meet the NSPI requirements for voltage flicker at the POI based on the site short circuit level and on the typical characteristics of inverter/converters.
- The minimum Short Circuit Ratio was found to be 54 at the 90N-FORCE substation 13.8 kV bus - it is the responsibility of the IC that the generating facility controls are stable under such conditions.
- IR#647 provides adequate reactive power to meet the Generator Interconnection Procedure (GIP) requirements
- IR#647 has no impact on any existing Special Protection Systems.
- The system loss factor for this facility was found to be 3.33%.

Relevant study results utilized from IR#542 show that:

- Generation associated with IR#647 will not have any significant adverse impact on the local transmission system.
- No thermal loading violations were found under normal states and single contingency conditions.
- The Point of Interconnection at substation 37N-Parrsboro is not classified as part of the NPCC Bulk Power System, nor it classified as a NERC Bulk Electric System element.
- There is a risk of this generating facility being islanded with NSPI customers for certain contingencies and as such, an anti-islanding scheme is required.

The proposed Generating facility must meet the requirements of Sections 7.1 – 7.4, and 7.6 of the NSPI Transmission System Interconnection Requirements (TSIR) document, version 1.1 for asynchronous generation (which includes inverter-based energy conversion associated with tidal facilities).

There are no additional Network Upgrades (NU) or Transmission Providers Interconnection Facilities (TPIF) required to accommodate the connection of IR#647 to the FORCE substation 13.8kV bus. The NU and TPIF associated with the FORCE facility were

previously built and are currently in service, although commissioning work requiring generation at 90N-FORCE remains to be completed. The final cost for NSPI's work to provide the 69kV interconnection at 37N-Parrsboro was as follows:

- **TPIF Actual Costs: \$1,402,630 (HST excluded)**
- NU Actual Costs: \$ 268,182 (HST excluded)
- Total Actual Cost: \$1,670,812 (HST excluded)

The Interconnection Facilities and Network upgrades associated with projects IR#516, IR#517, and IR#542 will also be shared by IR#598 and IR#647. As NU costs are refundable under the GIP, IR#647 is only responsible for 1/5 of the TPIF costs. As such, the cost responsibility for IR#647 for the shared usage of the TPIF infrastructure totals \$280,526 + \$42,079 (HST) = **\$322,605**, unless the right to a Capital Contribution refund is waived by those Interconnection Customers who previously contributed to these TPIF.

IR#647 is one of four active projects utilizing the TPIF and is therefore responsible for 1/4 of the remaining commissioning costs for the 69 kV supply, which is estimated at \$8,696 plus HST (\$2,174 plus HST each), and also for 1/4 of future maintenance and replacement costs associated with the TPIF.

## **Appendix A: IR#516 Executive Summary**



## Executive Summary

This report presents the results of a System Impact Study (SIS) for a proposed 5 MW tidal turbine generating facility interconnected to the NSPI transmission system. The study analysed the impact the proposed development would have on the NSPI power grid. System studies, including short circuit, power factor, voltage flicker, steady state, stability, Bulk Power System analysis, under-frequency operation, low voltage ride through and loss factor were performed. NSPI and NPCC planning criteria were applied.

This tidal facility will be interconnected to the 69kV substation 37N-Parrsboro. Transmission line L-5550 serves to transmit power from the 30N-Maccan substation to the 37N-Parrsboro substation and is designed to 138kV specifications but it is presently operated at 69kV. Therefore, transmission facility upgrades associated with the generator interconnection must also be built to 138kV standards to accommodate future system upgrades to 138kV in this area. One new 69kV circuit breaker will be required at 37N-Parrsboro substation complete with associated switches and protection. These facilities must be designed to be capable of future 138kV operation.

The increase in short circuit levels are within the capability of the associated breakers in the vicinity of 37N-Parrsboro. There are no concerns with regard to increased short circuit levels. Reactive power capability of the generating facility was not provided by the IC. This SIS estimates that, proposed generating facility should be capable of delivering approximately 1.8 MVAR and absorbing 1.4 MVAR of reactive power. Voltage flicker was not calculated due to insufficient generator data. However, the IC is expected to meet NSPI's requirement for voltage flicker and harmonic distortion.

Increased generation from this newly proposed generation facility will not have any significant adverse impact on the local transmission. No thermal loading violations were found under normal states and single contingency conditions. Stability analysis was not performed as a dynamic model for the generator was not available at the time of the study. However, this 5 MW of inverter based generation is not expected to cause system instability. Interconnecting substation 37N-Parrsboro is not classified as part of the Bulk Power System. IC is required to meet the requirements of Low Voltage Ride Through and Under Frequency operation. The system loss factor for this facility is -2%. This SIS identifies a risk of this generating facility being islanded with NSPI customers for certain contingencies. Hence, an anti-islanding scheme needs to be installed.

The total high level estimated cost for Interconnection Costs and Network Upgrades is \$1,650,000. As there are two generating facilities utilizing these interconnection facilities and Network Upgrades (IR #516 and IR #517), both IC's will share these costs equally (\$825,000 each). However, should IR#517 not proceed, then IR #516 will become responsible for the entire amount. The Facility Study will provide a more detailed cost estimate. All costs of associated facilities required at the Interconnection Customer's substation and generating facility are in addition to this estimate.

## **Appendix B: IR#517 Executive Summary**

## Executive Summary

This report presents the results of a System Impact Study (SIS) for a proposed 4 MW tidal turbine generating facility interconnected to the NSPI transmission system. The study analysed the impact the proposed development would have on the NSPI power grid. System studies, including short circuit, power factor, voltage flicker, steady state, stability, Bulk Power System analysis, under-frequency operation, low voltage ride through and loss factor were performed. NSPI and NPCC planning criteria were applied.

This tidal facility will be interconnected to the 69kV substation 37N-Parrsboro. Transmission line L-5550 serves to transmit power from the 30N-Maccan substation to the 37N-Parrsboro substation and is designed to 138kV specifications but it is presently operated at 69kV. Therefore, transmission facility upgrades associated with the generator interconnection must also be built to 138kV standards to accommodate future system upgrades to 138kV in this area. One new 69kV circuit breaker will be required at 37N-Parrsboro substation complete with associated switches and protection. These facilities must be designed to be capable of future 138kV operation.

The increase in short circuit levels are within the capability of the associated breakers in the vicinity of 37N-Parrsboro. There are no concerns with regard to increased short circuit levels. Reactive power capability of the generating facility was not provided by the IC. This SIS estimates that, proposed generating facility should be capable of delivering approximately 1.5 MVAR and absorbing 1.2 MVAR of reactive power. Voltage flicker was not calculated due to insufficient generator data. However, the IC is expected to meet NSPI's requirement for voltage flicker and harmonic distortion.

Increased generation from this newly proposed generation facility will not have any significant adverse impact on the local transmission. No thermal loading violations were found under normal states and single contingency conditions. Stability analysis was not performed as a dynamic model for the generator was not available at the time of the study. However, this 4 MW of inverter based generation is not expected to cause system instability. Interconnecting substation 37N-Parrsboro is not classified as part of the Bulk Power System. IC is required to meet the requirements of Low Voltage Ride Through and Under Frequency operation. The system loss factor for this facility is -2.5%. This SIS identifies a risk of this generating facility being islanded with NSPI customers for certain contingencies. Hence, an anti-islanding scheme needs to be installed.

The total high level estimate for Interconnection Costs and Network Upgrades is \$1,650,000. As there are two generating facilities utilizing these interconnection facilities and Network Upgrades (IR #516 and IR #517), both IC's will share these costs equally (\$825,000 each). However, should IR#516 not proceed, then IR #517 will become responsible for the entire amount. The Facility Study will provide a more detailed cost estimate. All costs of associated facilities required at the Interconnection Customer's generating facility are in addition to this estimate.

## Appendix C: IR#542 Executive Summary

## Executive Summary

This report presents the results of a System Impact Study (SIS) for a proposed 5.58 MW tidal turbine generating facility interconnected to the NSPI transmission system. The study analysed the impact the proposed development would have on the NSPI power grid. System studies, including short circuit, power factor, voltage flicker, steady state, stability, Bulk Power System analysis, under-frequency operation, low voltage ride through and loss factor were performed. NSPI and NPCC planning criteria were applied.

This tidal facility will be interconnected to the 69kV substation 37N-Parrsboro. Transmission line L-5550 serves to transmit power from the 30N-Maccan substation to the 37N-Parrsboro substation and is designed to 138kV specifications but it is presently operated at 69kV. Therefore, transmission facility upgrades associated with the generator interconnection must also be built to 138kV standards to accommodate future system upgrades to 138kV in this area. One new 69kV circuit breaker will be required at 37N-Parrsboro substation complete with associated switches and protection. These facilities must be designed to be capable of future 138kV operation.

The increase in short circuit levels are within the capability of the associated breakers in the vicinity of 37N-Parrsboro. IR#542 provides adequate reactive power to meet the Generator Interconnection Procedure (GIP) requirement. Voltage flicker was not calculated due to insufficient generator data. However, the IC is expected to meet NSPI's requirement for voltage flicker and harmonic distortion.

Increased generation from this newly proposed generation facility will not have any significant adverse impact on the local transmission. No thermal loading violations were found under normal states and single contingency conditions.

IR#542 was not found to cause issues with the stability of the interconnected system. IR#542 was found to comply with the Low Voltage Ride Through requirements, and remained on-line through simulated under frequency islanding events. Interconnecting substation 37N-Parrsboro is not classified as part of the Bulk Power System. The system loss factor for this facility is 5%. This SIS identifies a risk of this generating facility being islanded with NSPI customers for certain contingencies. Hence, an anti-islanding scheme needs to be installed.

The total high level estimated cost for Transmission Provider's Interconnection Facilities and Network Upgrades is \$1,650,000. Two other higher queued tidal generating facilities (IR #516 and IR #517) are also located in the same area as IR #542 and the required Transmission Providers Interconnection Facilities identified in this report will be utilized by all three projects. All three IC's will share these costs equally (\$550,000 each). All costs of associated facilities required at the Interconnection Customer's Interconnection Facilities and generating facility are in addition to this estimate.

## Appendix D: IR#542 Addendum Summary

## Addendum Summary

This report represents an Addendum to Report GIP-IR542-SIS-R0, which concerns a 5.58MW Tidal Generating Facility interconnected to the transmission system via the 69kV 37N-Parrsboro substation.

On January 21, 2020, the Interconnection Customer requested the following changes to their Interconnection request (IR) 542:

- A turbine change from 15 Tocardo 372 kW units to 54 Schottel 70 kW units (Type 4 generators with AC-DC-AC inverter technology similar to that of the Tocardo units)
- A reduction in capacity from 5.58 MW to 3.78 MW
- A new generator voltage of 460V, with 500kVA, 460V-6.6kV Dyn1 collector circuit step-up transformers and a plant 6.6kV-13.8kV Dyn1 GSU step-up transformer to accommodate interconnection with the FORCE substation 13.8kV Feeder 311

The above changes are deemed to be “not material”. This report addendum documents the modifications to each section of report GIP-IR542-SIS-R0, by section number, required as a result of these changes.

## Appendix E: IR#598 Executive Summary



## Executive Summary

This report presents the results of a System Impact Study (SIS) for a proposed 2.52 MW tidal turbine generating facility interconnected to the NSPI transmission system at the 37N-Parsboro substation via existing interconnection facilities located at the 90N-FORCE substation. The study analysed the impact the proposed development would have on the NSPI power grid.

Due to the proposed capacity of this Interconnection Request (IR#598), an expedited study process was permitted in accordance with Section 2.5 of the Generator Interconnection Procedures that removed stability analysis from the report scope. In addition, Section 7.4 of the GIP permits the use of previous study results where practicable in the SIS analysis. As a result, the following analysis results from IR#542, a higher queued tidal project having the same Point of Interconnection, were applied to this IR#598: Steady state analysis, and Bulk Power System (BPS) determination.

The report scope also included the following analysis specific to IR#598: Short circuit analysis and its impact on circuit breaker ratings; Power factor requirement at the Point of Interconnection (POI); Voltage flicker; Incremental system Loss Factor; Impact on any existing Special Protection Systems (SPSs); and Islanding potential.

The study results show that IR#598 will not adversely impact the interrupting capability of any existing circuit breakers and is assumed to meet the NSPI requirements for voltage flicker at the POI based on the site short circuit level and on the typical characteristics of inverter/converters. The minimum Short circuit ratio was calculated to be 32 at the 90N-FORCE substation 13.8 kV bus and it is the responsibility of the IC that the generating facility controls are stable under such conditions. IR#598 provides adequate reactive power to meet the Generator Interconnection Procedure (GIP) requirements and has no impact on any existing Special Protection Systems. The system loss factor for this facility was found to be 3.57%.

Study results utilized from IR#542 show that increased generation associated with IR#598 will not have any significant adverse impact on the local transmission system. No thermal loading violations were found under normal states and single contingency conditions. In addition, the Point of Interconnection at substation 37N-Parsboro is not classified as part of the Bulk Power System, nor it classified as a Bulk Electric System element. There is a risk of this generating facility being islanded with NSPI customers for certain contingencies and as such, an anti-islanding scheme is required.

The proposed Generating facility must also meet the requirements of Sections 7.1 – 7.4, and 7.6 of the NSPI Transmission System Interconnection Requirements (TSIR) document, version 1.1 for asynchronous generation (which includes inverter-based energy conversion associated with tidal facilities).

There are no additional Network Upgrades (NU) or Transmission Providers Interconnection Facilities (TPIF) required to accommodate the connection of IR#598 to the FORCE substation 13.8kV bus. The NU and TPIF associated with the FORCE facility were previously built and are

### System Impact Study Report Addendum

---

currently in service, although commissioning work requiring generation at 90N-FORCE remains to be completed. The final cost for NSPI's work to provide the 69kV interconnection at 37N-Parrsboro was as follows:

- **TPIF Actual Costs: \$1,402,630 (HST excluded)**
- NU Actual Costs: \$ 268,182 (HST excluded)
- Total Actual Cost: \$1,670,812 (HST excluded)

The Interconnection Facilities and Network upgrades that were common to projects IR#516, IR#517, and IR#542 will also be shared by IR#598. As NU costs are refundable under the GIP, IR#598 is not responsible to contribute towards those costs. IR#598 is the fourth project to utilize the common TPIF, and is therefore responsible for 1/4 of the TPIF costs. IR#598 is one of three active projects utilizing the TPIF, and is therefore responsible for 1/3 of the remaining commissioning costs for the 69kV supply, which is estimated at \$8,696 plus HST (\$2,899 plus HST each). As such, the costs attributed to IR#598 for the shared usage of the TPIF infrastructure total  $\$350,658 + \$2,899 + \$53,033 \text{ (HST)} = \mathbf{\$406,590}$ .

## Appendix F: IR#647 1-Line Diagram

# System Impact Study Report

DATE	01-22-2010
PROJECT NO.	012-616-D-3001
REVISION	
DESCRIPTION	

DATE	01-22-2010
PROJECT NO.	012-616-D-3001
REVISION	
DESCRIPTION	

DATE	01-22-2010
PROJECT NO.	012-616-D-3001
REVISION	
DESCRIPTION	

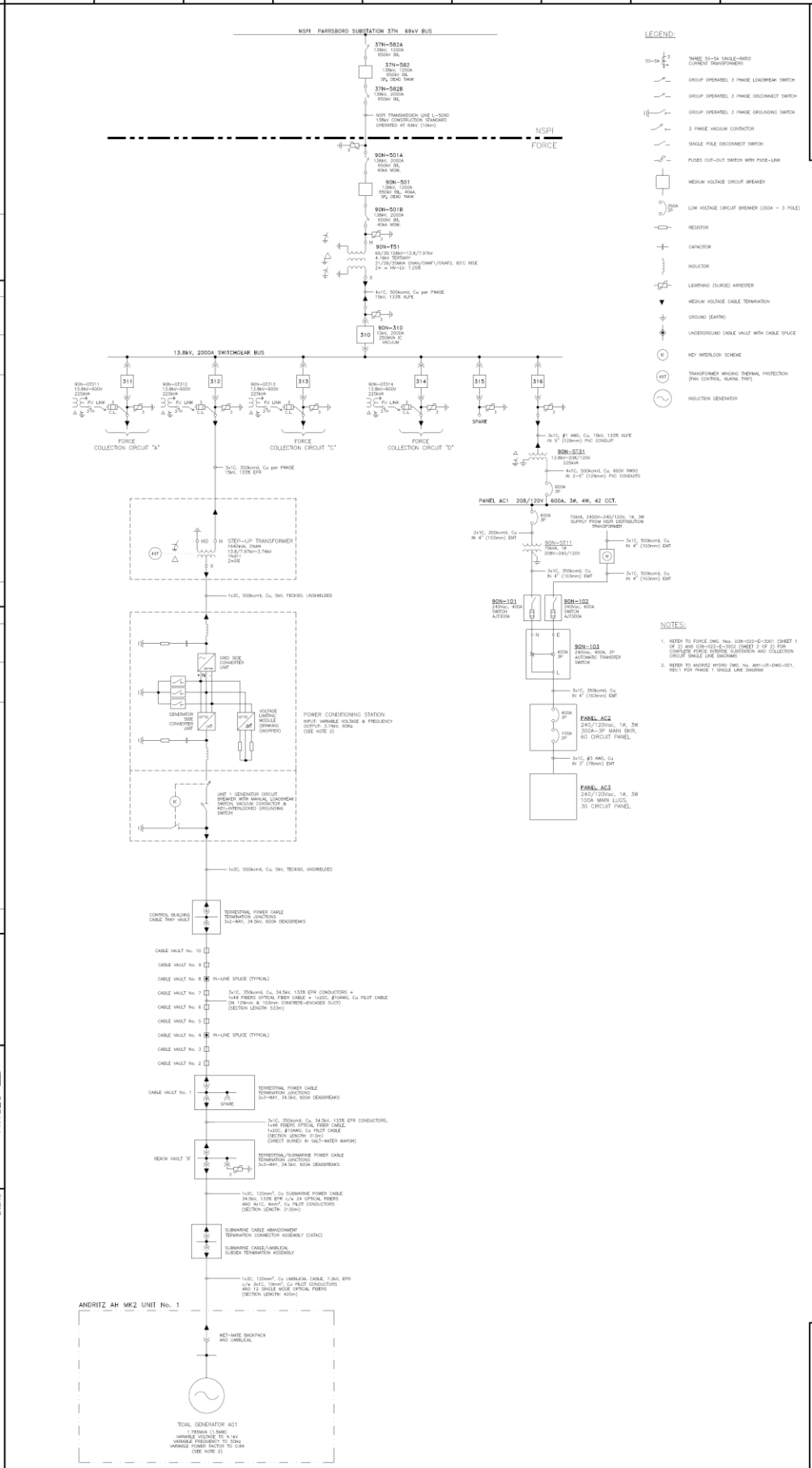
DATE	01-22-2010
PROJECT NO.	012-616-D-3001
REVISION	
DESCRIPTION	

DATE	01-22-2010
PROJECT NO.	012-616-D-3001
REVISION	
DESCRIPTION	

DATE	01-22-2010
PROJECT NO.	012-616-D-3001
REVISION	
DESCRIPTION	

DATE	01-22-2010
PROJECT NO.	012-616-D-3001
REVISION	
DESCRIPTION	

DATE	01-22-2010
PROJECT NO.	012-616-D-3001
REVISION	
DESCRIPTION	



DATE	01-22-2010
PROJECT NO.	012-616-D-3001
REVISION	
DESCRIPTION	

DATE	01-22-2010
PROJECT NO.	012-616-D-3001
REVISION	
DESCRIPTION	

DATE	01-22-2010
PROJECT NO.	012-616-D-3001
REVISION	
DESCRIPTION	